



CALIFORNIA
ACCENT
LIGHTING
INC

LLED8400-LDS

MUD-IN

PROJECT

TYPE

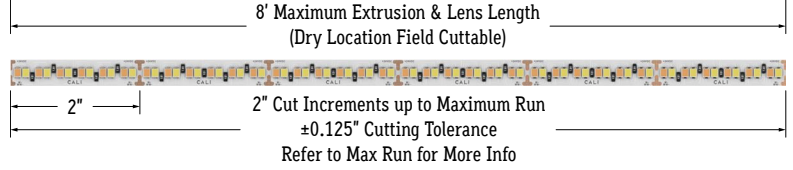


SINGLE
BIN
+30K



TM-30
LM-79
LM-80

LIGHTSTRIP, EXTRUSION, & LENS



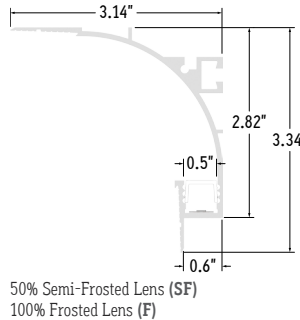
LENS

50% Semi-Frosted Lens Slight Diode Image (SF)	100% Frosted Lens No Diode Image (Line of Light) (F)
--	---

LIGHT LOSS FACTORS

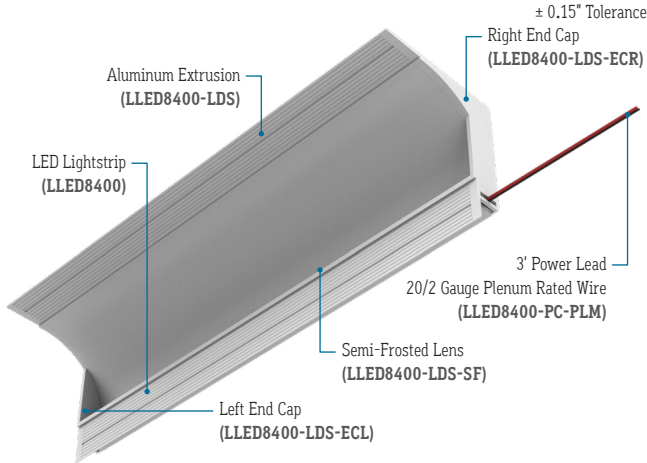
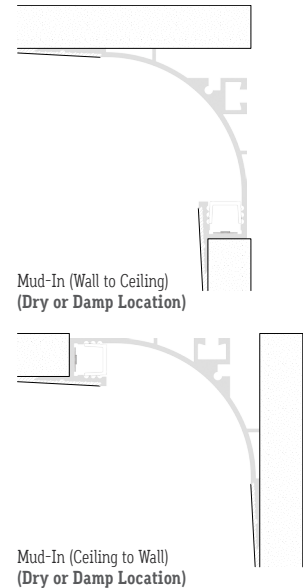
LENS	EFFICACY LOSS
50% Semi-Frosted (SF)	12.5%
100% Frosted (F)	25%

END VIEW



50% Semi-Frosted Lens (SF)
100% Frosted Lens (F)

MOUNTING OPTIONS



FEATURES

APPLICATIONS	Mud-In, Accent, Decorative, Surface, Recessed Lighting
LAMP TYPE	LEDs
CRI	> 85
LENS	50% Semi-Frosted or 100% Frosted
VIEWING ANGLE	120°
MOUNTING	Mud-In
WEIGHT	0.80 lbs per foot
CONSTRUCTION	Aluminum Extrusion
LENGTH	Built to Order
LISTING	Dry or Damp Location UL2108, CSA C22.2 #9 UL8750, CSA250
INSTALLATION	Link to Installation Instructions
ELECTRICAL	
DIMMING	0-10V
MAXIMUM RUN (Based on 4 Amps for Class II)	22' (4.3W)
VOLTAGE	24VDC
DRIVER	Remote (Sold Separately)
TEMPERATURE RATINGS	Operating / Startup: -20° to 48°C (-4° to 120°F) Storage: -40° to 76°C (-40° to 170°F)

SERIES	LENS / OPTICS	WATTS PER FOOT	DIMMING	CCT LED	LISTING	FINISH	FIXTURE LENGTH
LLED8400-LDS	-	4.3W	- 10V-1%	- DW	-	-	-
LLED8400-LDS	50% Semi-Frosted Lens (SF)	4.3 Watts (4.3W)	0-10V: 100% - 1% (10V-1%)	Dim to Warm 3000K - 1800K (DW)	Indoor (DRY)	Natural Silver*1 (NA) Polished (PA)	Specify Length in Feet & Inches Example: 7'8"
	100% Frosted Lens: Line of Light (F)	To calculate Lumens per Foot, multiply Efficacy by Wattage. Example: 4.3W x 92 Lm/W = 395 Lm/Ft			Outdoor (DAMP)	White (WH) Satin / Silver (SA) Black (BK)	

*1 Standard Finish: Natural Silver if left blank

CALIFORNIA ACCENT LIGHTING, INC.

2820 E. Gretta Lane, Anaheim, CA 92806

ph. 800.921.CALI (2254) | fx. 714.535.7902 | info@calilighting.com | calilighting.com

© CALI. All rights reserved. CALI reserves the right to make changes or withdraw specifications without prior notice.



PART NUMBER	WEIGHT	SPECIFY FINISH	SPECIFY LENGTH	SPECIFY QTY.	UNIT
LLED8400-PC-PLM-X*	Varies by Length	N/A			Each
LLED8400-LDS-ECL		N/A	N/A		Each
LLED8400-LDS-ECR		N/A	N/A		Each
LLED8400-LDS-90D-IN			N/A		Each
LLED8400-LDS-90D-EX			N/A		Each

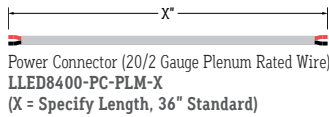
LAMP SPECIFICATIONS

LAMP NUMBER	CORRELATED COLOR TEMPERATURE @ DIMMING %	EFFICACY (LUMENS / WATT)	L70 LED LIFE
DW	1900K @ 25%	148	60,000 hrs
	2000K @ 50%	137	
	2500K @ 75%	118	
	3000K @ 100%	92	

*Leave blank for Standard option.

CONNECTORS (Sold Separately)

Note: Connector type subject to change without notice. Click on image to see cut sheet for details.



Power Connector (20/2 Gauge Plenum Rated Wire)
LLED8400-PC-PLM-X
(X = Specify Length, 36" Standard)



Wet Splice Connector
(LLED8400-SC-WET)

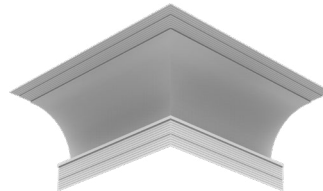
ACCESSORIES (Sold Separately)



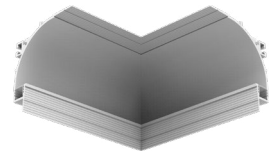
Left End Cap
(LLED8400-LDS-ECL)



Right End Cap
(LLED8400-LDS-ECR)



90° External Corner
(LLED8400-LDS-90D-EX)

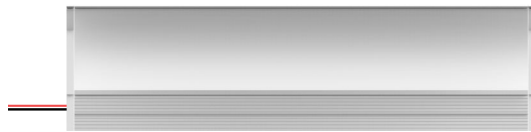


90° Internal Corner
(LLED8400-LDS-90D-IN)

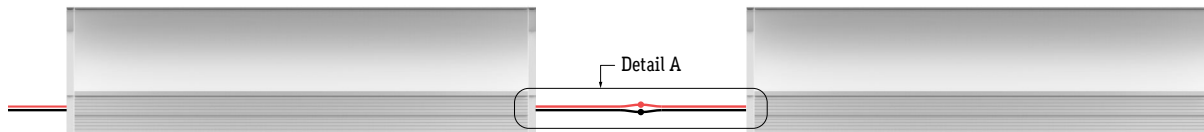
Note: Mitered Corners are used to avoid field cutting. Consult factory for other mitered angle options.

DESIGN GUIDELINES

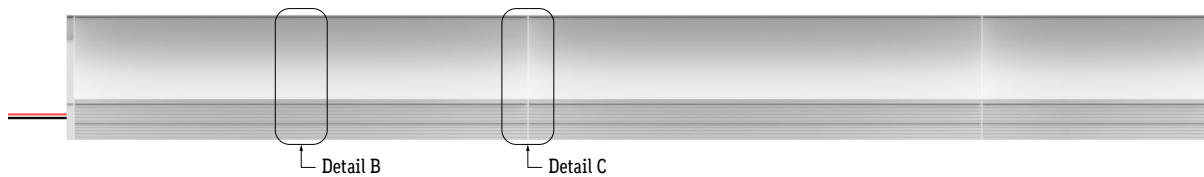
Individual Fixture (Up to 8')



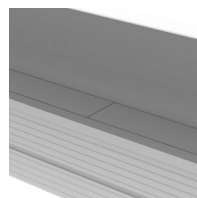
Run with Field Splice Connection



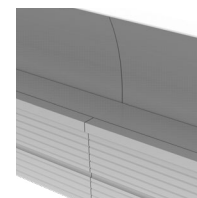
Continuous Run



Detail A
Field Splice Connection
(Connectors by others)



Detail B
Two Lenses Meet
(Dry or Damp Location)



Detail C
Two Extrusions Meet
(Dry or Damp Location)