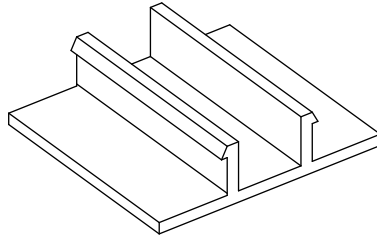
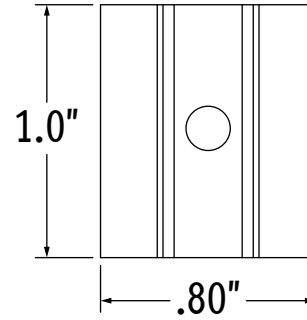


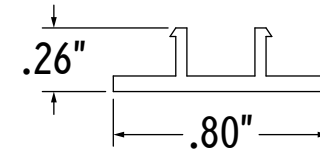
Isometric View



Top View

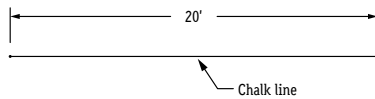


End View



1. Measure area where LLED8300-RCR will be installed.

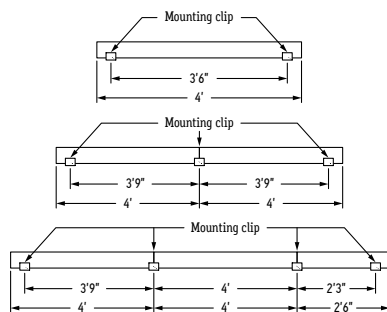
RECOMMENDATION: Use chalk line to ensure a straight installation.



2. Mark location where mounting clips will be installed.

TIP: Quantity of mounting clips = quantity of fixture +1.

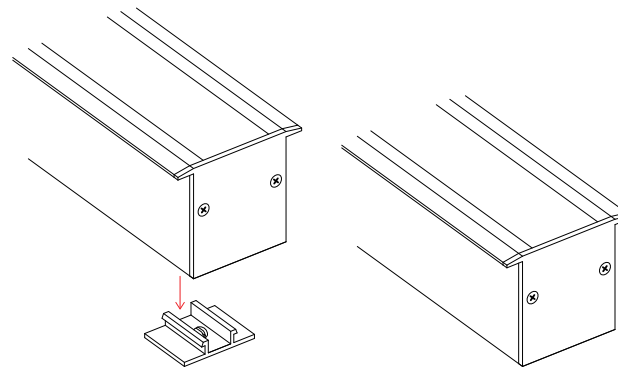
Use a mounting clip at the joint between two fixtures.



3. Lay mounting clips and pre-drill using proper drill bit for surface and screw size.

RECOMMENDATION: 8/32 X 1" screw

4. Screw mounting clips to surface, then snap fixture into mounting clips. Ensure fixture is securely mounted in place. For wet location, continue to step 5.



5. Apply silicone at both ends of each run to seal fixture (for wet location fixtures only).

Assembled End View

