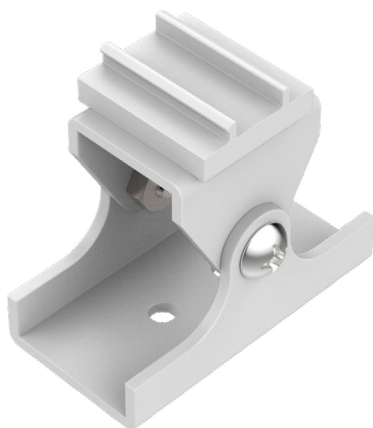
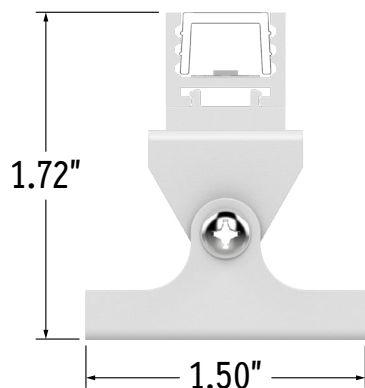


Perspective View



Assembled End View



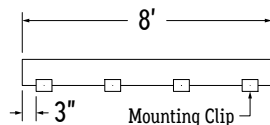
## UNASSEMBLED APPLICATIONS

1. Measure area where luminaire will be installed. Use a laser line to create a reference line along installation area, ensuring consistent alignment of mounting clips. Mark location where each mounting clip will be installed along reference line.

2. Use 1 mounting clip every 2', rounded up.

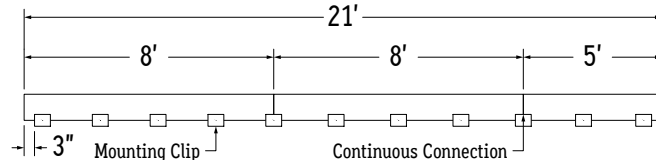
**Note:** For vertical applications, use a stopper at the bottom to prevent fixture from sliding.

**Example 1:** Individual run of 8'.



**Example 2:** Continuous run of 21' (8' + 8' + 5').

Use a mounting clip at the joint between luminaire segments.

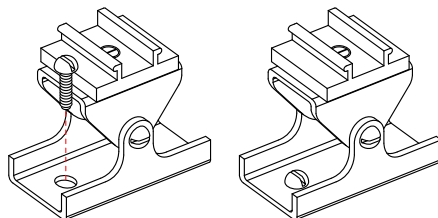


3. Lay mounting clips along reference line and pre-drill using an appropriate drill bit for surface and screw size. **Recommended:** 8/32 x 1" screw.

**Note:** Allow 0.25" clearance for lateral expansion of assembled mounting clips.

Only install mounting clips on flat, even surfaces.

4. Screw mounting clips to surface, then snap luminaire into mounting clips.



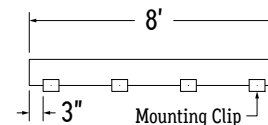
## ASSEMBLED APPLICATIONS

1. Measure area where luminaire will be installed. Use a laser line to create a reference line along installation area, ensuring consistent alignment of mounting clips. Mark location where each mounting clip will be installed along reference line.

2. Use 1 mounting clip every 2', rounded up.

**Note:** For vertical applications, use a stopper at the bottom to prevent fixture from sliding.

**Example 1:** Individual run of 8'.



**Example 2:** Continuous run of 21' (8' + 8' + 5').

Apply the 1 mounting clip per 2' rule to each luminaire segment.

