

GENERAL FEATURES	
APPLICATIONS	Wall Washing Lighting
LENS	Tempered Clear Glass Lens
OPTICS AND ASYMMETRIC	10° - 60° or Asymmetric Optics
LENGTH	Built to Order (2', 3', or 4' Increments)
CONSTRUCTION	Aluminum Extrusion
DRIVER	Integral
WEIGHT	2.3 lbs (1'), 5.6 lbs (2'), 7.9 lbs (3'), 11.2 lbs (4')
MOUNTING	Mounting Clips
LISTING	Dry or Wet (IP65 or IP67) Location UL1598, CSA C22.2#250.0 UL8750, CSA250 UL2108, CSA C22.2 #9
TEMPERATURE RATINGS	Operating / Startup: -20° to 48°C (-4° to 120°F) Storage: -40° to 76°C (-40° to 170°F)
INSTALLATION	Link to Installation Instructions



HOW TO ORDER

- 1 Generate product code based on specification options.
Example: ALS600T-45D-WH-35K-6W-10V-EF-WET-UNV
- 2 Specify Runs Lengths.
Example: 1 @ 22', 1 @ 15', 1 @ 31'.
- 3 Specify Accessories. Refer to Accessories page, Installation Instructions, and Cut Sheets to determine number of Connectors, Mounting Clips, End Caps, and other accessories needed.

TYPE

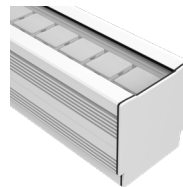
PROJECT

NOTES

ABOUT

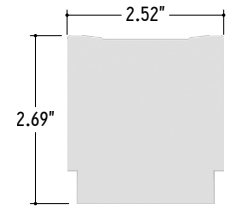
- High output luminaire system suitable for wall washing, grazing, and façade lighting in harsh outdoor environments.
- Available with a variety of optics, color temperatures, watts per foot, finish options, and accessories.
- Easy to install, plug and play system.

LENS

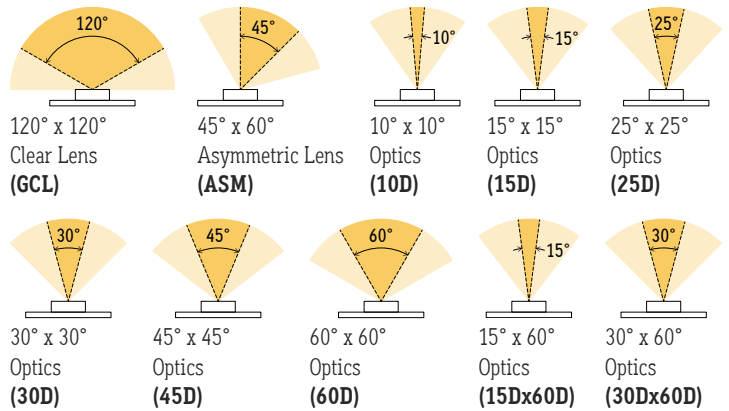


Tempered Clear Glass Lens
(ALS600T-CGL)

END VIEW

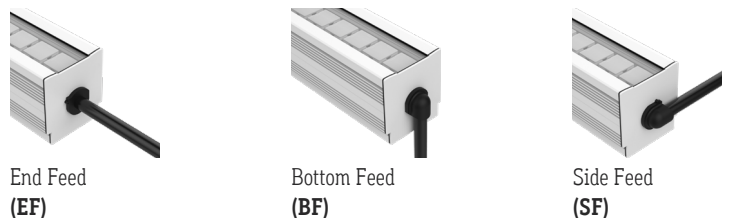


BEAM ANGLES



Note: End View Spread (First Angle). Linear Spread (Second Angle)

FEED POINTS



CALIFORNIA ACCENT LIGHTING, INC.

2820 E. Gretta Lane, Anaheim, CA 92806
ph. 800.921.CALI (2254) | fx. 714.535.7902 | info@calilighting.com | calilighting.com
© CALI. All rights reserved. CALI reserves the right to make changes or withdraw specifications without prior notice.

LAMP SPECIFICATIONS

LAMP NUMBER	CORRELATED COLOR TEMPERATURE (CCT)	DESCRIPTION	L70 LED LIFE
27K	2700K	Warm White	60,000 hours
30K	3000K	Warm White	
35K	3500K	Neutral White	
40K	4000K	Neutral White	
45K	4500K	Neutral White	
50K	5000K	Cool White	
57K	5700K	Cool White	
R	Red	620 nm	
G	Green	525 nm	
B	Blue	450 nm	
A	Amber	590 nm	

LAMP FEATURES

LAMP TYPE	High Output LEDs (No Mercury)
CRI	> 93
EFFICACY	125 Delivered Lumens per Watt (Based on 35K CCT LED)

ELECTRICAL

DIMMING	0-10V, DMX, DALI
MAXIMUM RUN (Line Voltage)	40' (3W, 5W, 6W, 8W) 35' (9W), 26' (12W), 21' (15W), 17' (18W)
LUMINAIRE VOLTAGE	120V - 277V (UNV)

SPECIFY PRODUCT CODE | CHOOSE FROM DROP DOWNS

SERIES	OPTICS	FINISH	CCT LED	WATTS PER FOOT	DIMMING	FEED POINT	LISTING	LUMINAIRE VOLTAGE	LUMINAIRE LENGTH*6
ALS600T -	-	-	-	-	-	-	-	UNV	-
ALS600T	Clear Glass Lens*1 (CGL)	White (WH)	2700K (27K) 3000K (30K)	3 Watts: 375 Lumens/ft (3W)	0-10V: 100% - 1% (10V)	End Feed (EF)	Indoor (DRY)	120V - 277V Line Voltage*5 (UNV)	Specify Lengths in 1' Increments Example: 22'
	Asymmetric Lens (ASM)	Black (BK)	3500K (35K) 4000K (40K)	5 Watts: 625 Lumens/ft (5W)	0-10V: 100% - .1% (10V-.1%)	Bottom Feed (BF)	Outdoor IP65 (WET)		
	10° x 10° (10D) 15° x 15° (15D)	Satin (SA)	4500K (45K) 5000K (50K)	6 Watts: 750 Lumens/ft (6W)	DMX-512*3 (DMX)	Side Feed (SF)	Outdoor IP67 (IP67)		
	25° x 25° (25D) 30° x 30° (30D)		5700K (57K) Red*2 (R)	8 Watts: 1000 Lumens/ft (8W)	DALI*4 (DALI)				
	45° x 45° (45D) 60° x 60° (60D)		Green*2 (G) Blue*2 (B)	9 Watts: 1125 Lumens/ft (9W)	Leave Blank for Non-Dimming				
	15° x 60° (15Dx60D)		Amber*2 (A)	12 Watts: 1500 Lumens/ft (12W)					
	30° x 60° (30Dx60D)			15 Watts: 1875 Lumens/ft (15W)					
				18 Watts: 2250 Lumens/ft (18W)					

Note: Maximum length for line voltage (Integral Driver) is 320 watts per run. **Example:** 320 watts ÷ 8 watts per foot = 40 feet max run.

*1 Clear Glass Lens (120°)

*2 Not available in 18W

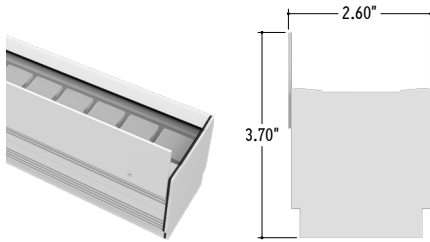
*3 Default DMX address of each fixture is 001. Consult third party DMX commissioner to modify at time of installation. 2' minimum luminaire length.

*4 DALI commissioning to be performed by a third party at time of installation. CALI does not provide DALI commissioning. 2' minimum luminaire length.

*5 Integral drivers wattage sized based on length of run. **Example:** 5' run x 3 watts per foot = 15 watts. Driver will be sized to 15 watts maximum.

*6 Lengths that deviate from the 1' increment will be sized to the nearest smaller increment.

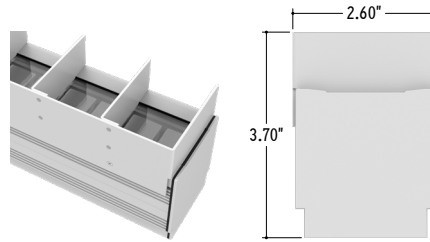
ACCESSORIES (Sold Separately - Click on Image to View Installation Cut Sheet, if Applicable)



Reflector
(ALS600T-RE1)

REFLECTOR	
PART #	LENGTH
ALS600T-RE1	-

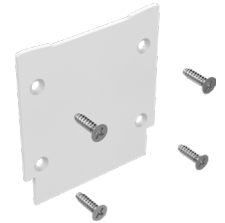
Note: Available in 1', 2', 3', or 4' increments.
Specify total length of reflectors needed.



Louver
(ALS600T-LVR)

LOUVER	
PART #	LENGTH
ALS600T-LVR	-

Note: Available in 1' increments.
Specify total length of louvers needed.

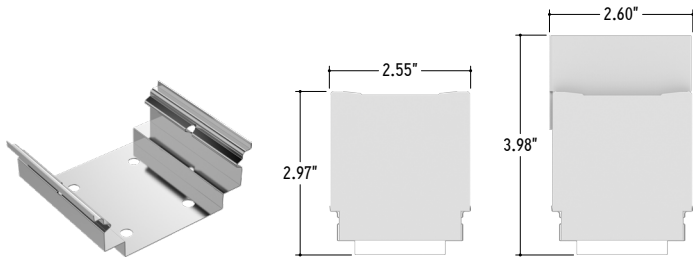


Dry Location End Cap
(ALS600T-EC)

END CAP	
PART #	QTY.
ALS600T-EC /	

Note: Specify 1 End Cap for each Dry Location run.

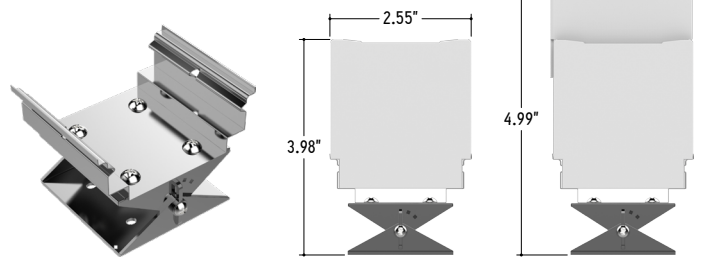
MOUNTING CLIPS (Sold Separately - Click on Image to View Installation Cut Sheet)



Mounting Clip
(ALS600T-MC)

MOUNTING CLIP	
PART #	QTY.
ALS600T-MC	/

Note: Use 1 Mounting Clip per 2', rounded up.
Refer to cut sheet or installation instructions for additional information.



Adjustable Mounting Clip with Locking Mechanism
(ALS600T-MC-3)

ADJUSTABLE MOUNTING CLIP	
PART #	QTY.
ALS600T-MC-3	/

Note: Use 1 Mounting Clip per 2', rounded up.
Refer to cut sheet or installation instructions for additional information.

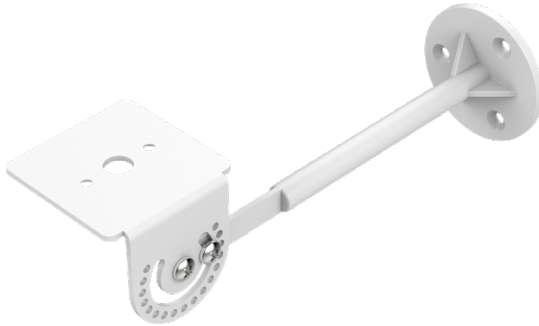


Stake Mounting Clip
(ALS600T-MC-STK)

STAKE MOUNTING CLIP	
PART #	QTY.
ALS600T-MC-STK	/

Note: Use 1 Mounting Clip per 2', rounded up.
Refer to cut sheet or installation instructions for additional information.

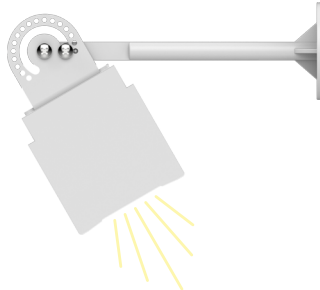
MOUNTING ARMS (Sold Separately - Click on Image to View Installation Cut Sheet)



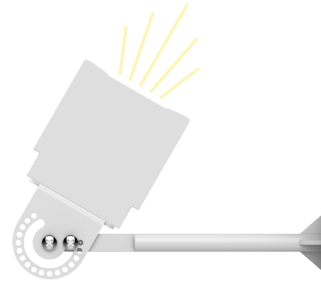
Bottom-Mount Adjustable Arm
(ALS600T-AA-BM-X)
X = Specify Length, 4" Min, 18" Max

BOTTOM MOUNT ADJUSTABLE ARM

PART #	LENGTH	QTY.
ALS600T-AA-BM	-	/



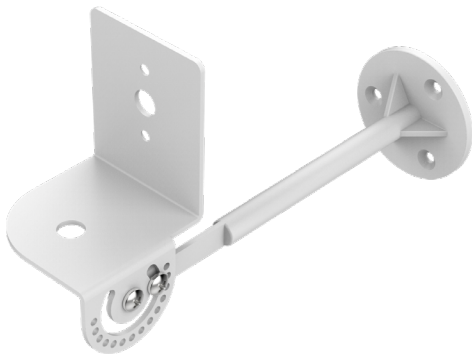
-30° Tilt



210° Tilt

Tilt either direction in 15° increments.
Minimum Tilt: -30° downward, towards mounting surface
Maximum Tilt: 210° upward, towards mounting surface

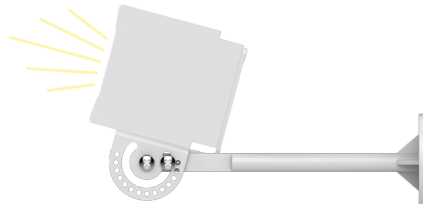
Note: Use 2 Mounting Arms per luminaire segment.
Refer to cut sheet or installation instructions for additional information.



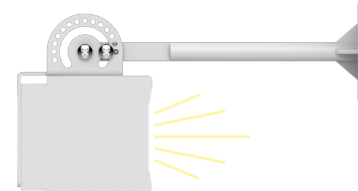
Side-Mount Adjustable Arm
(ALS600T-AA-SM-X)
X = Specify Length, 4" Min, 18" Max

SIDE MOUNT ADJUSTABLE ARM

PART #	LENGTH	QTY.
ALS600T-AA-SM	-	/



-105° Tilt

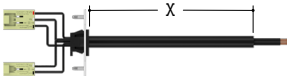


90° Tilt

Tilt either direction in 15° increments.
Minimum Tilt: -105° outward, away from mounting surface
Maximum Tilt: 90° inward, toward mounting surface

Note: Use 2 Mounting Arms per luminaire segment.
Refer to cut sheet or installation instructions for additional information.

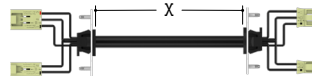
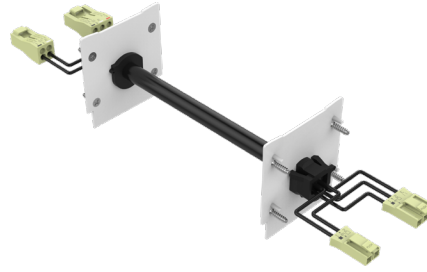
CONNECTORS (Sold Separately)



Dry Location Power Connector (18/5 Gauge Wire)
(ALS600T-PC-DRY-X) X = Specify Length

DRY POWER CONNECTOR

PART #	LENGTH	QTY.
ALS600T-PC-DRY -	/	

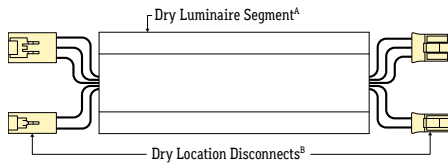


Dry Location Jumper Cable
(ALS600T-JC-DRY-X) X = Specify Length

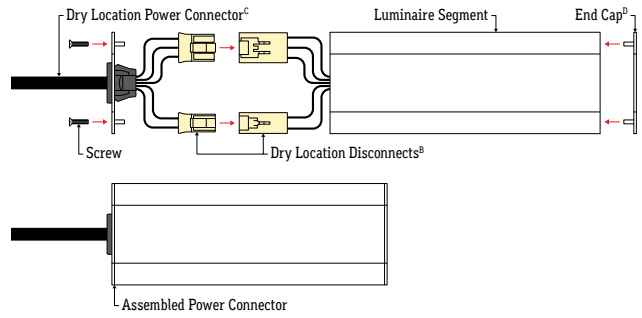
DRY JUMPER CABLE

PART #	LENGTH	QTY.
ALS600T-JC-DRY -	/	

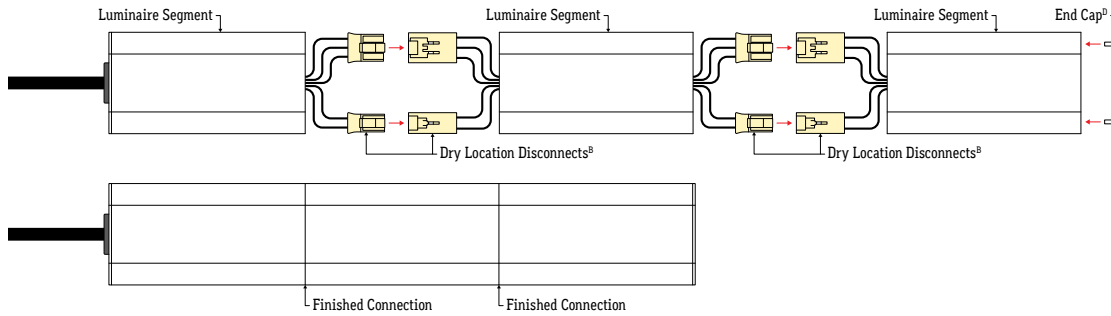
LUMINAIRE SEGMENT (Dry Location)



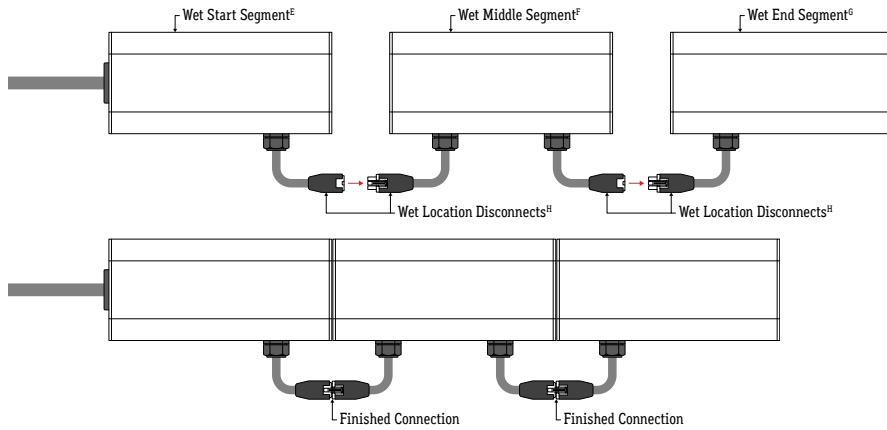
POWER CONNECTOR (Dry Location)



CONTINUOUS RUN (Dry Location)



CONTINUOUS RUN (Wet Location)

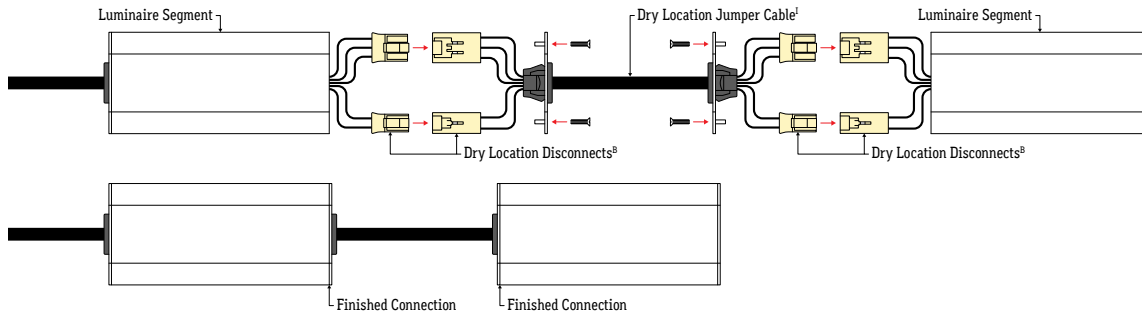


KEY

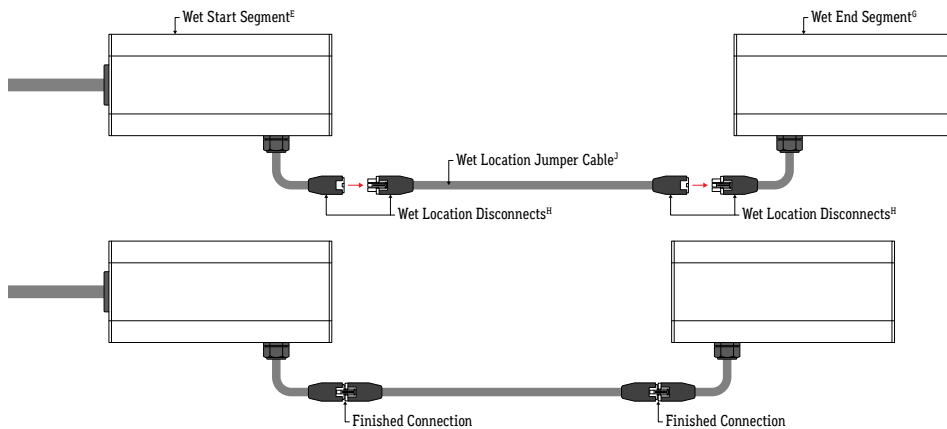
A	Dry Luminaire Segment: Each Dry Location segment has dry rated disconnects at each end to easily plug and play various accessories or the next segment of a run.
B	Dry Location Disconnects: Used to connect a segment to the next segment in line, or an accessory such as Power Connector or Jumper Cable.
C	Dry Location Power Connector: Used to connect a run to power source.
D	End Cap: Used to terminate a run. Specify 1 End Cap for each Dry Location run. Specification of End Caps for Wet Location runs is not required.

E	Wet Start Segment: The first segment a Wet Location run. One end has assembled power lead, and the other end has Wet Location Disconnects.
F	Wet Middle Segment: The middle segment of a Wet Location run. Each end has Wet Location Disconnects.
G	Wet End Segment: The last segment of a Wet Location run. One end has Wet Location Disconnects, and the other end has and End Cap.

RUN WITH JUMPER CABLE (Dry Location)



RUN WITH JUMPER CABLE (Wet Location)



KEY

B	Dry Location Disconnects: Used to connect a segment to the next segment in line, or an accessory such as Power Connector or Jumper Cable.
E	Wet Start Segment: The first segment a Wet Location run. One end has assembled power lead, and the other end has Wet Location Disconnects.
G	Wet End Segment: The last segment of a Wet Location run. One end has Wet Location Disconnects, and the other end has an End Cap.
H	Wet Location Disconnects: Used to connect a segment to the next segment in line, or an accessory such as a Jumper Cable.
I	Dry Location Jumper Cable: Used when a gap is needed between two Dry Location segments on the same circuit.
J	Wet Location Jumper Cable: Used when a gap is needed between two Wet Location segments on the same circuit.