

| GENERAL FEATURES | |
|-----------------------|---|
| APPLICATIONS | Wall Washing Lighting |
| LENS | Tempered Clear Glass Lens |
| OPTICS AND ASYMMETRIC | 10° - 60° or Asymmetric Optics |
| LENGTH | Built to Order (2', 3', or 4' Increments) |
| CONSTRUCTION | Aluminum Extrusion |
| DRIVER | Integral |
| WEIGHT | 2.3 lbs (1'), 5.6 lbs (2'), 7.9 lbs (3'), 11.2 lbs (4') |
| MOUNTING | Mounting Clips |
| LISTING | Dry or Wet (IP65 or IP67) Location UL1598, CSA C22.2#250.0 UL8750, CSA250 UL2108, CSA C22.2 #9 |
| TEMPERATURE RATINGS | Operating / Startup: -20° to 48°C (-4° to 120°F) Storage: -40° to 76°C (-40° to 170°F) |
| INSTALLATION | Link to Installation Instructions |



COMPATIBLE CONTROL INTERFACES

- 0-10V
- DALI2
- DMX
- Acuity Controls / nLight
- eldoLED
- Distech Controls
- Legrand
- Wattstopper
- Pass & Seymour
- Leviton
- Crestron / Cresnet / SolarSync
- Eaton
- Tridonic / Bluetooth

TYPE

PROJECT

NOTES

ABOUT

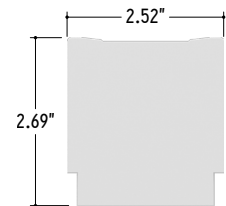
- High output luminaire system suitable for wall washing, grazing, and façade lighting in harsh outdoor environments.
- Available with a variety of optics, color temperatures, watts per foot, finish options, and accessories.
- Easy to install, plug and play system.

LENS

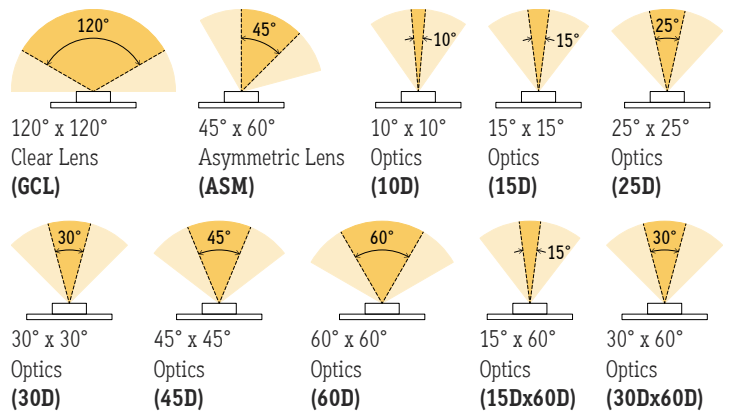


Tempered Clear Glass Lens
(ALS600T-CGL)

END VIEW

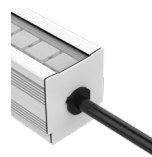


BEAM ANGLES



Note: End View Spread (First Angle). Linear Spread (Second Angle)

FEED POINTS



End Feed
(EF)



Bottom Feed
(BF)



Side Feed
(SF)

LAMP SPECIFICATIONS

| LAMP NUMBER | EFFICACY (LUMENS PER WATT) | L70 LED LIFE |
|-------------|----------------------------|--------------|
| 20K - 35K | 122 | 60,000 hours |
| 27K - 65K | 142 | |

Note: Lumens per Watt values based on highest tested CCT value (3500K or 6500K). Refer to next page for more detailed photometry data.

LAMP FEATURES

| | |
|-----------|-------------------------------|
| LAMP TYPE | High Output LEDs (No Mercury) |
| CRI | > 91 |

ELECTRICAL

| | |
|-------------------|------------------------------------|
| DIMMING | 0-10V, DMX, DALI (Type 6) |
| MAXIMUM RUN | 40' (1.5W, 2W, 3W, 4W, 5W, 6W, 7W) |
| LUMINAIRE VOLTAGE | 120V - 277V (UNV) |

SPECIFY PRODUCT CODE | CHOOSE FROM DROP DOWNS

| SERIES | OPTICS | FINISH | CCT GAMUT | | WATTS PER FOOT | CONTROL INTERFACE | FEED POINT | LISTING | LUMINAIRE VOLTAGE | LUMINAIRE LENGTH |
|----------------------------|---|---------------|-------------|-------------|---------------------|--------------------------------|---------------------|------------------------|--|---|
| | | | LOW CCT | HIGH CCT | | | | | | |
| ALS600T-CT - - - - - UNV - | | | | | | | | | | |
| ALS600T-CT | Clear Glass Lens* ¹ (CGL) | White (WH) | 2000K (20K) | 3000K (30K) | 1.5 Watts (1.5W) | DALI* ² (DALI) | End Feed (EF) | Indoor (DRY) | 120V - 277V Line Voltage* ⁴ (UNV) | Specify Lengths in 1' Increments Example: 22' |
| | | | 2200K (22K) | 3500K (35K) | | | | | | |
| | Asymmetric Lens (ASM) | Black (BK) | 2400K (24K) | 4000K (40K) | 2 Watts (2W) | 0-10V: 100% - .1% (10V) | Bottom Feed (BF) | Outdoor IP65 (WET) | | |
| | | | 2700K (27K) | 4500K (45K) | | | | | | |
| | 10° x 10° (10D) | Satin (SA) | | 5000K (50K) | 4 Watts (4W) | DMX-512* ³ (DMX) | Side Feed (SF) | Outdoor IP67 (IP67) | | |
| | 15° x 15° (15D) | | | 5500K (55K) | 5 Watts (5W) | | | | | |
| | 25° x 25° (25D) | | | 6000K (60K) | 6 Watts (6W) | | | | | |
| | 30° x 30° (30D) | | | 6500K (65K) | 7 Watts (7W) | | | | | |
| | 45° x 45° (45D) | | | | | | | | | |
| | 60° x 60° (60D) | | | | | | | | | |
| | 15° x 60° (15Dx60D) | | | | | | | | | |
| | 30° x 60° (30Dx60D) | | | | | | | | | |

Note: Maximum length for line voltage (Integral Driver) is 320 watts per run. **Example:** 320 watts ÷ 8 watts per foot = 40 feet max run.

*¹ Clear Glass Lens (120°)

*² DALI commissioning to be performed by a third party at time of installation. CALI does not provide DALI commissioning.

*³ Default DMX address of each fixture is 001. Consult third party DMX commissioner to modify at time of installation.

*⁴ Integral drivers wattage sized based on length of run. **Example:** 5' run x 7 watts per foot = 35 watts. Driver will be sized to 35 watts maximum.

HOW TO ORDER

1 Specify Run Lengths.

Example: 5 Runs @ 40'.

2 Specify Control Interface. See ordering table for available options.

Example: DALI Control Interface.

3 Specify Control Style. Standalone Controls or Third-Party Controls.

If Third Party Controls is specified, each fixture will ship ready to be integrated into a control system. Control devices, commissioning, and accessories for Third-Party Controls solutions by others.

If Standalone Controls is specified, select a Control Device that is compatible with your Control Interface selection.

Example: Select the DALI Control Panel for One-Room DALI solutions.

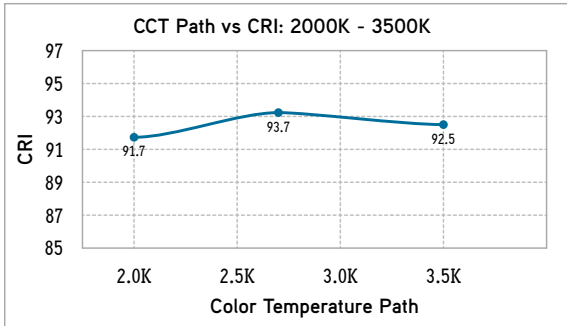
See Page 6 for Control Device details.

4 Specify number of Master Control Fixtures required. A Master Control Fixture is the first fixture of each sequence up to the Maximum Run (40'). Master Control Fixture quantity must be specified.

Example: 5 Runs @ 40' will require 5 MCFs. In this scenario, each MCF will be 4' in length by default.

5 Specify Accessories. Accessories must be ordered in appropriate quantities to install correctly. Refer to Mounting Clip cut sheets to determine number of mounting clips required.

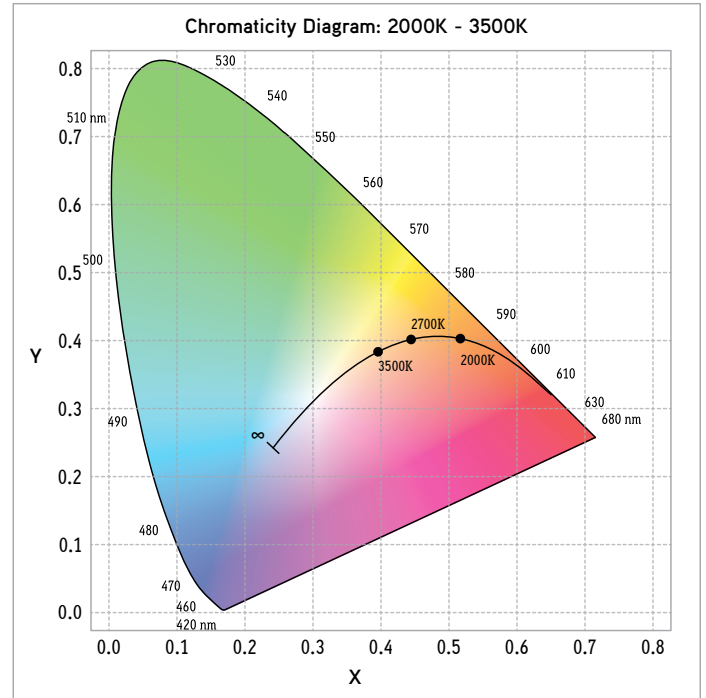
PHOTOMETRIC DATA: 2000K - 3500K



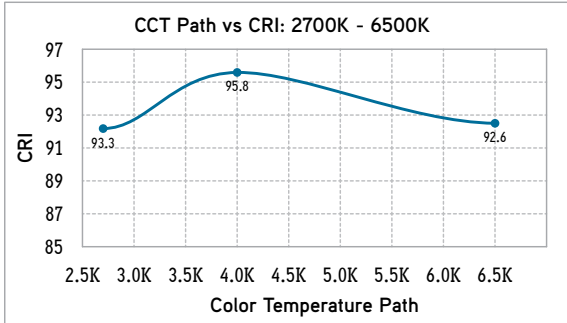
LAMP SPECIFICATIONS

| LAMP NUMBER | EFFICACY (LUMENS PER WATT) | L70 LED LIFE |
|-------------|----------------------------|--------------|
| 20K - 35K | 122 | 60,000 hours |

Note: Lumens per Watt values based on highest tested CCT value (3500K).



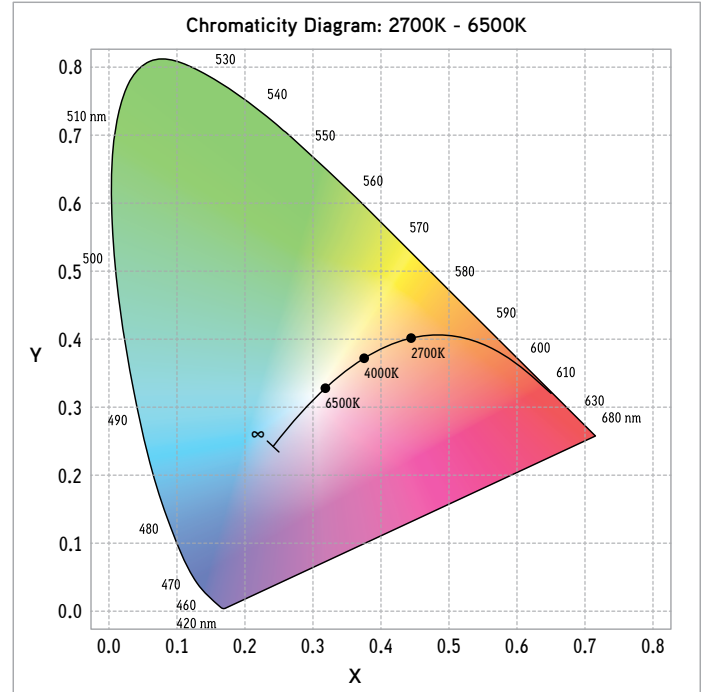
PHOTOMETRIC DATA: 2700K - 6500K



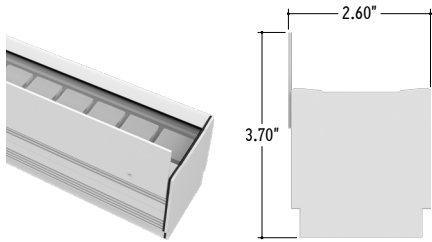
LAMP SPECIFICATIONS

| LAMP NUMBER | EFFICACY (LUMENS PER WATT) | L70 LED LIFE |
|-------------|----------------------------|--------------|
| 27K-65K | 142 | 60,000 hours |

Note: Lumens per Watt values based on highest tested CCT value (6500K).



ACCESSORIES (Sold Separately - Click on Image to View Installation Cut Sheet)

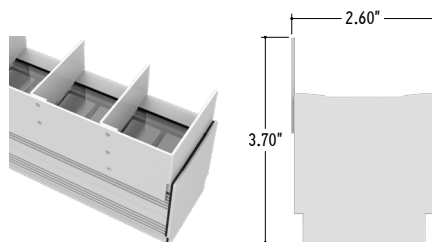


Reflector
(ALS600T-RE1)

REFLECTOR

| PART # | LENGTH |
|-------------|--------|
| ALS600T-RE1 | - |

Note: Available in 1', 2', 3', or 4' increments.
Specify total length of reflectors needed.

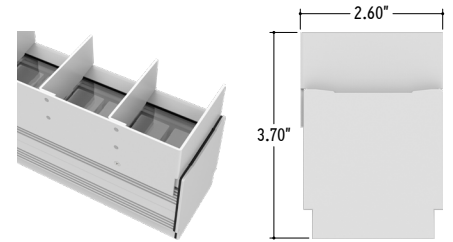


Louver
(ALS600T-LVR)

LOUVER

| PART # | LENGTH |
|-------------|--------|
| ALS600T-LVR | - |

Note: Available in 1', 2', 3', or 4' increments.
Specify total length of louvers needed.



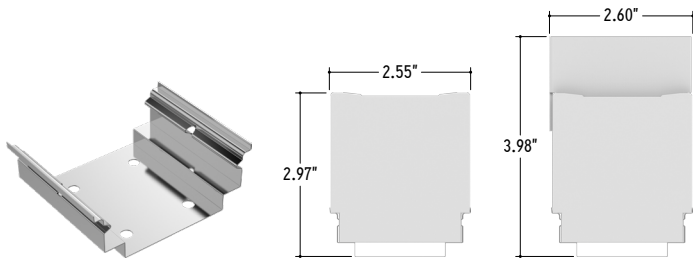
Louver
(ALS600T-LVR)

LOUVER

| PART # | LENGTH |
|-------------|--------|
| ALS600T-LVR | - |

Note: Available in 1' increments.
Specify total length of louvers needed.

MOUNTING CLIPS (Sold Separately - Click on Image to View Installation Cut Sheet)

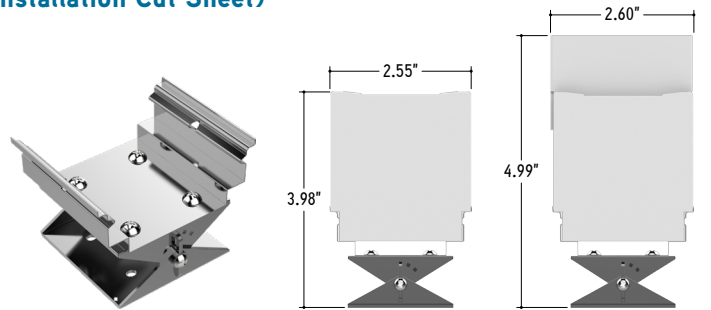


Mounting Clip
(ALS600T-MC)

MOUNTING CLIP

| PART # | QTY. |
|------------|------|
| ALS600T-MC | / |

Note: Use 1 Mounting Clip per 2', rounded up.
Refer to cut sheet or installation instructions for additional information.



Adjustable Mounting Clip with Locking Mechanism
(ALS600T-MC-3)

ADJUSTABLE MOUNTING CLIP

| PART # | QTY. |
|--------------|------|
| ALS600T-MC-3 | / |

Note: Use 1 Mounting Clip per 2', rounded up.
Refer to cut sheet or installation instructions for additional information.



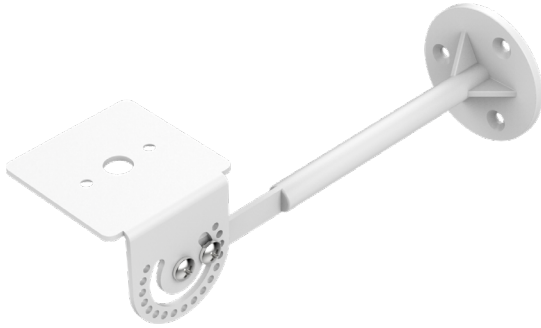
Stake Mounting Clip
(ALS600T-MC-STK)

STAKE MOUNTING CLIP

| PART # | QTY. |
|----------------|------|
| ALS600T-MC-STK | / |

Note: Use 1 Mounting Clip per 2', rounded up.
Refer to cut sheet or installation instructions for additional information.

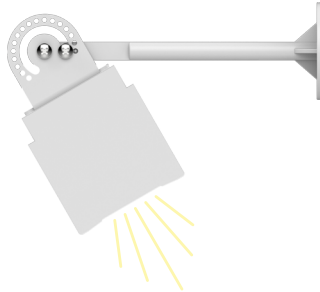
MOUNTING ARMS (Sold Separately - Click on Image to View Installation Cut Sheet)



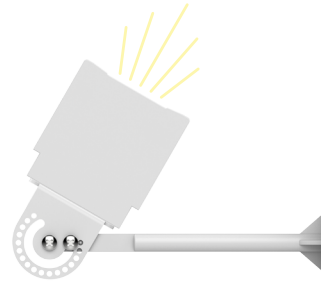
Bottom-Mount Adjustable Arm
(ALS600T-AA-BM-X)
X = Specify Length, 4" Min, 18" Max

BOTTOM MOUNT ADJUSTABLE ARM

| PART # | LENGTH | QTY. |
|---------------|--------|------|
| ALS600T-AA-BM | - | / |



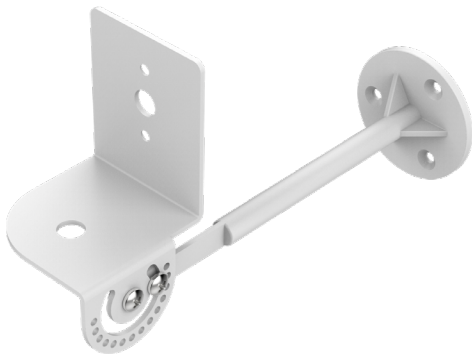
-30° Tilt



210° Tilt

Tilt either direction in 15° increments.
Minimum Tilt: -30° downward, towards mounting surface
Maximum Tilt: 210° upward, towards mounting surface

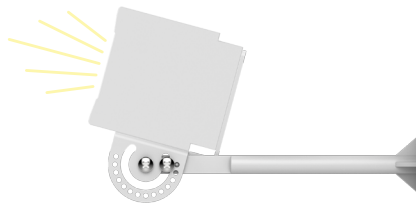
Note: Use 2 Mounting Arms per luminaire segment.
Refer to cut sheet or installation instructions for additional information.



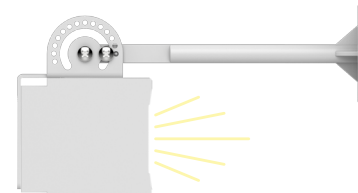
Side-Mount Adjustable Arm
(ALS600T-AA-SM-X)
X = Specify Length, 4" Min, 18" Max

SIDE MOUNT ADJUSTABLE ARM

| PART # | LENGTH | QTY. |
|---------------|--------|------|
| ALS600T-AA-SM | - | / |



-105° Tilt

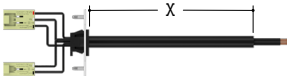


90° Tilt

Tilt either direction in 15° increments.
Minimum Tilt: -105° outward, away from mounting surface
Maximum Tilt: 90° inward, toward mounting surface

Note: Use 2 Mounting Arms per luminaire segment.
Refer to cut sheet or installation instructions for additional information.

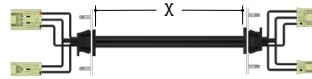
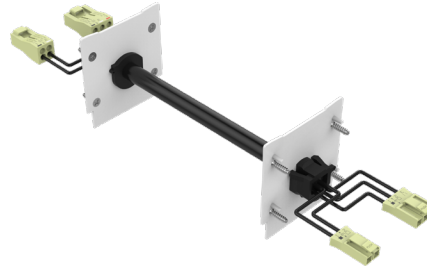
CONNECTORS (Sold Separately)



Dry Location Power Connector (18/5 Gauge Wire)
(ALS600T-CT-PC-DRY-X) X = Specify Length

DRY POWER CONNECTOR

| PART # | LENGTH | QTY. |
|---------------------|--------|------|
| ALS600T-CT-PC-DRY - | / | |

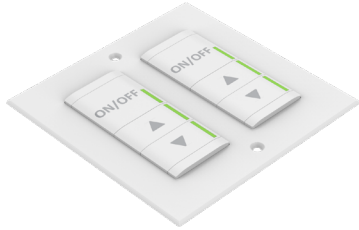


Dry Location Jumper Cable
(ALS600T-CT-JC-DRY-X) X = Specify Length

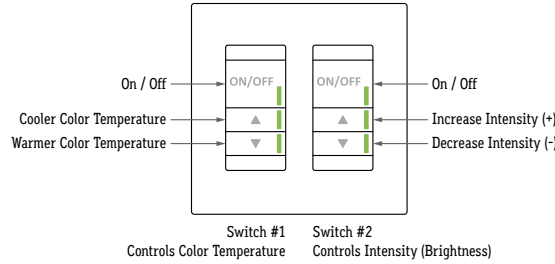
DRY JUMPER CABLE

| PART # | LENGTH | QTY. |
|---------------------|--------|------|
| ALS600T-CT-JC-DRY - | / | |

10V CONTROL SWITCH (Sold Separately)



10V Control Switch
(CTRL-CT-10V)



FEATURES

- Two switches are used to operate Color Tuning with 10V controls. One switch controls the color temperature and the other switch controls intensity / brightness.

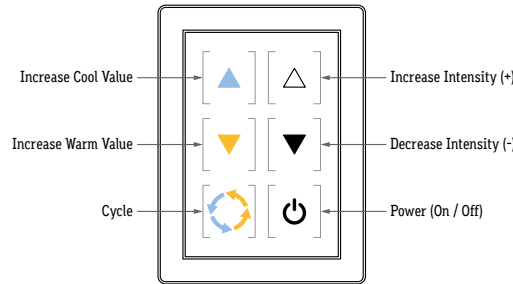
10V CONTROL SWITCH

| PART # | QTY. |
|-------------|------|
| CTRL-CT-10V | / |

DALI TOUCH PANEL (Sold Separately)



DALI Control Touch Panel
(CTRL-CT-DALI)



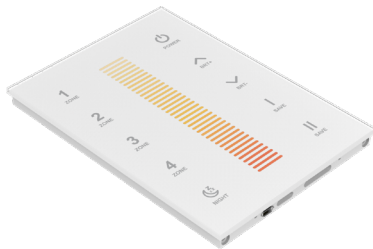
FEATURES

- The Touch Panel is connected directly to the DALI line.
- The color temperature range can be defined by the user.

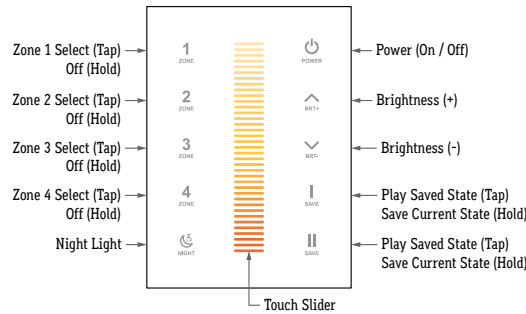
DALI TOUCH PANEL

| PART # | QTY. |
|--------------|------|
| CTRL-CT-DALI | / |

DMX TOUCH PANEL (Sold Separately)



DMX Control Touch Panel
(CTRL-CT-DMX)



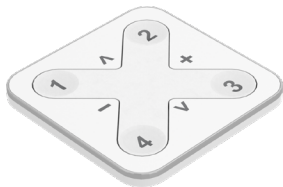
FEATURES

- Allows wireless control with WiFi or remote controller.
- Controls up to 4 zones of lighting.
- 2 saved scenes.

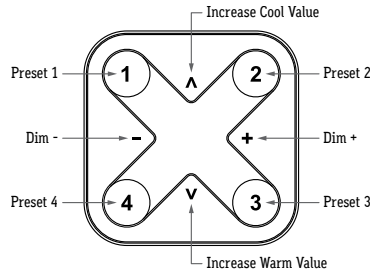
DMX TOUCH PANEL

| PART # | QTY. |
|-------------|------|
| CTRL-CT-DMX | / |

BLUETOOTH WIRELESS CONTROL PANEL (Sold Separately)



Bluetooth Wireless Control Panel
(CTRL-CT-BT)



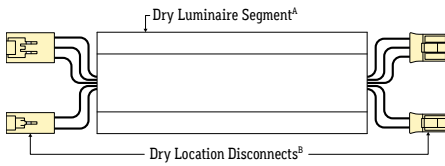
FEATURES

- Battery powered, wireless connection.
- 4 saved scenes.
- Individual or group control of luminaires.

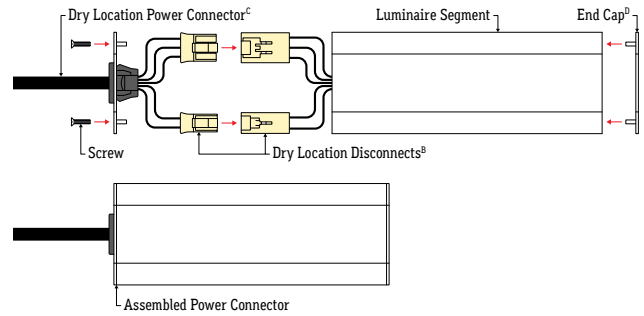
BLUETOOTH CONTROL PANEL

| PART # | QTY. |
|------------|------|
| CTRL-CT-BT | / |

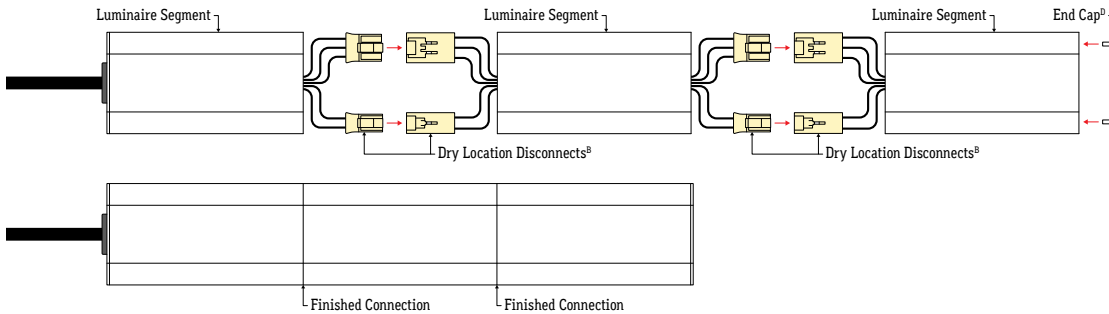
LUMINAIRE SEGMENT (Dry Location)



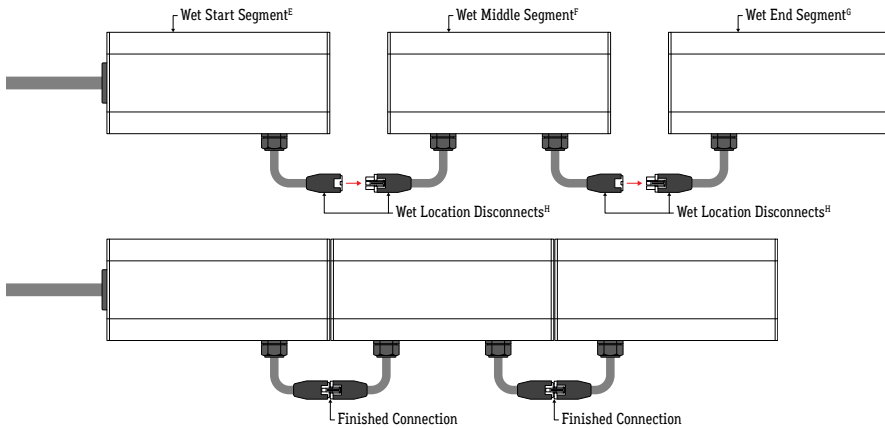
POWER CONNECTOR (Dry Location)



CONTINUOUS RUN (Dry Location)



CONTINUOUS RUN (Wet Location)

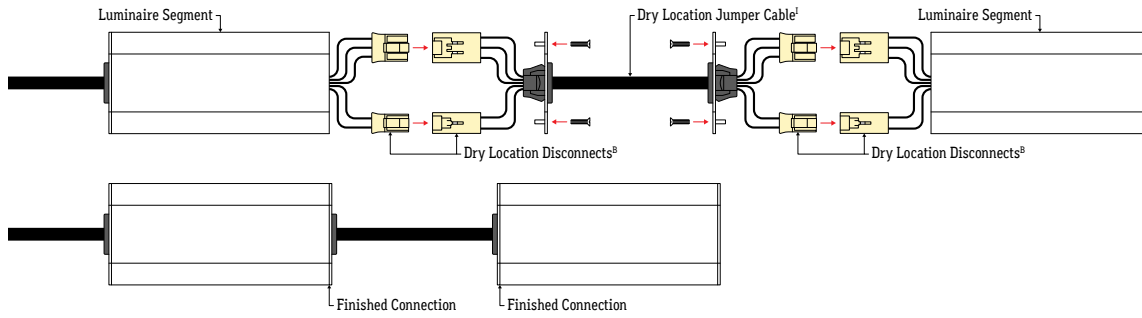


KEY

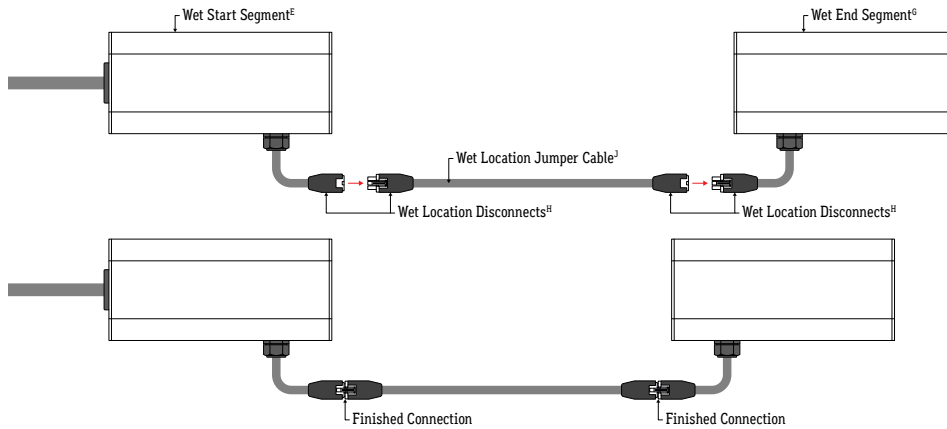
| | |
|----------|---|
| A | Dry Luminaire Segment: Each Dry Location segment has dry rated disconnects at each end to easily plug and play various accessories or the next segment of a run. |
| B | Dry Location Disconnects: Used to connect a segment to the next segment in line, or an accessory such as Power Connector or Jumper Cable. |
| C | Dry Location Power Connector: Used to connect a run to power source. |
| D | End Cap: Used to terminate a run. Specify 1 End Cap for each Dry Location run. Specification of End Caps for Wet Location runs is not required. |

| | |
|----------|---|
| E | Wet Start Segment: The first segment a Wet Location run. One end has assembled power lead, and the other end has Wet Location Disconnects. |
| F | Wet Middle Segment: The middle segment of a Wet Location run. Each end has Wet Location Disconnects. |
| G | Wet End Segment: The last segment of a Wet Location run. One end has Wet Location Disconnects, and the other end has and End Cap. |

RUN WITH JUMPER CABLE (Dry Location)



RUN WITH JUMPER CABLE (Wet Location)



KEY

| | |
|----------|---|
| B | Dry Location Disconnects: Used to connect a segment to the next segment in line, or an accessory such as Power Connector or Jumper Cable. |
| E | Wet Start Segment: The first segment a Wet Location run. One end has assembled power lead, and the other end has Wet Location Disconnects. |
| G | Wet End Segment: The last segment of a Wet Location run. One end has Wet Location Disconnects, and the other end has an End Cap. |
| H | Wet Location Disconnects: Used to connect a segment to the next segment in line, or an accessory such as a Jumper Cable. |
| I | Dry Location Jumper Cable: Used when a gap is needed between two Dry Location segments on the same circuit. |
| J | Wet Location Jumper Cable: Used when a gap is needed between two Wet Location segments on the same circuit. |