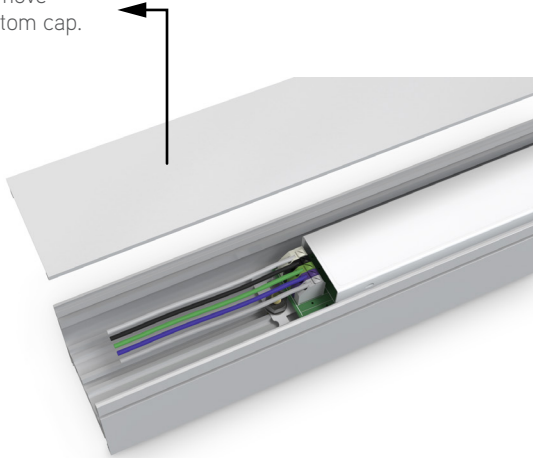


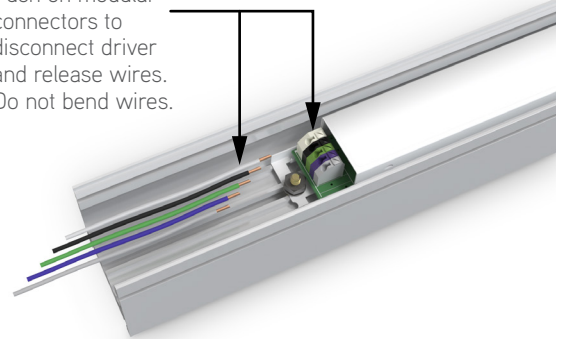
Tools Needed | Flat Screwdriver and Socket Wrench

The driver is easy to replace in the most seamless way.

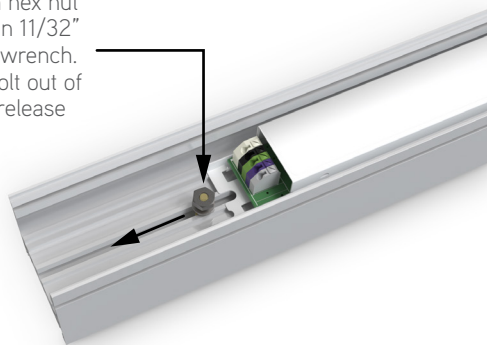
1 Remove bottom cap.



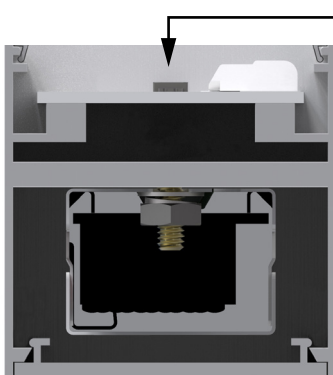
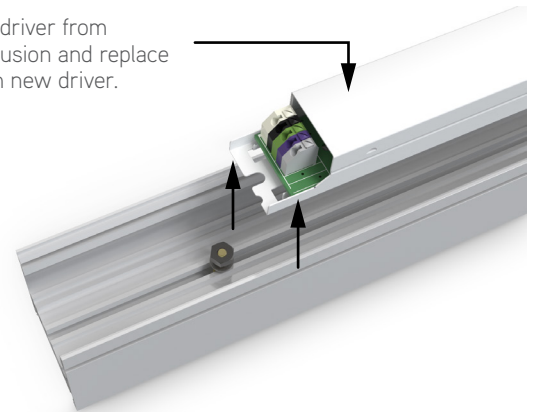
2 Push on modular connectors to disconnect driver and release wires. Do not bend wires.



3 Loosen hex nut using an 11/32" socket wrench. Slide bolt out of slot to release driver.



4 Lift driver from extrusion and replace with new driver.



LEDs sit close to the top and are isolated from the driver.