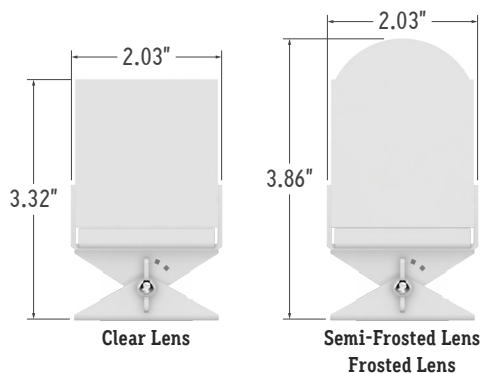


Perspective View

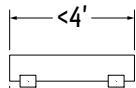


Assembled End Views

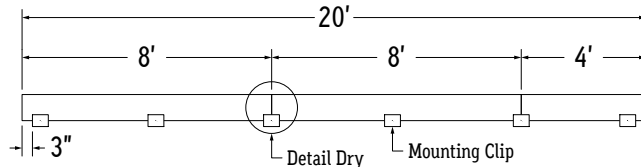


DRY LOCATION

1. Measure area where luminaire will be installed. Use a chalk line to ensure a straight installation.
2. Mark location where mounting clips will be installed along chalk line.
3. Use 3 mounting clips every 8' or 2 if fixture is 4' or shorter.

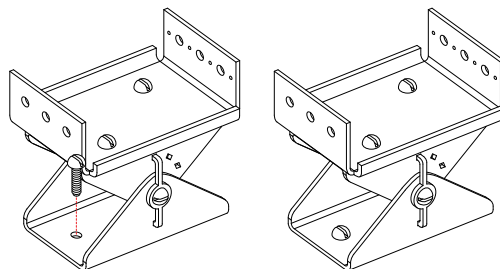


4. Use 1 mounting clips every 4' +1.
Example: 8' + 8' + 4' = 2 MC + 2 MC + 1MC + 1MC = 6 MC total.
Use a mounting clip at the joint between two fixtures.



6. Lay mounting clips and pre-drill using proper drill bit for surface and screw size.
Recommendation: 8/32 x 1" screw.
Note: Allow 0.25" clearance for lateral expansion of assembled mounting clips.
Only install mounting clips on flat, even surfaces.

7. Screw mounting clips to surface, then snap fixture into mounting clips.



5. Install set screws into mounting clips for outward and downward facing applications. Install set screws on each mounting clip that connects two fixtures (Detail A).

