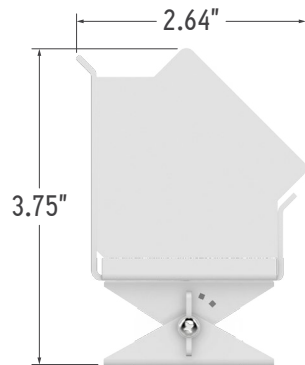


### Perspective View

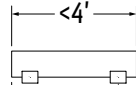


### Assembled End Views

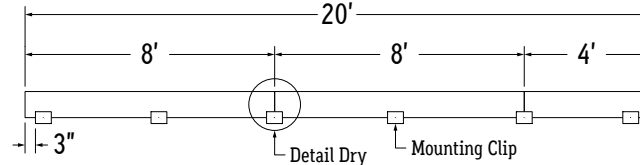


### DRY LOCATION

1. Measure area where luminaire will be installed. Use a chalk line to ensure a straight installation.
2. Mark location where mounting clips will be installed along chalk line.
3. Use 3 mounting clips every 8' or 2 if fixture is 4' or shorter.

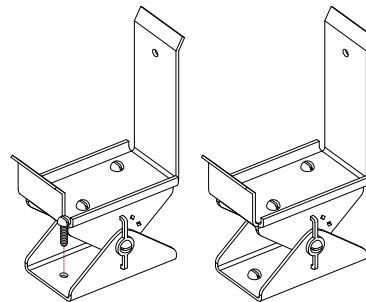


4. Use 1 mounting clip every 4' + 1.  
**Example:** 8' + 8' + 4' = 2 MC + 2 MC + 1MC = 6 MC total.  
Use a mounting clip at the joint between two fixtures.



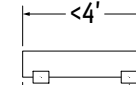
5. Lay mounting clips and pre-drill using proper drill bit for surface and screw size.  
**Recommendation:** 8/32 x 1" screw.  
**Note:** Allow 0.25" clearance for lateral expansion of assembled mounting clips.  
Only install mounting clips on flat, even surfaces.

6. Screw mounting clips to surface, then snap fixture into mounting clips.

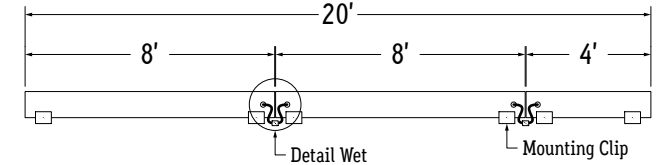


### WET LOCATION

1. Measure area where luminaire will be installed. Use a chalk line to ensure a straight installation.
2. Mark location where mounting clips will be installed along chalk line.
3. Use 3 mounting clips every 8' or 2 if fixture is 4' or shorter.



4. Use 2 mounting clips per fixture.  
**Example:** 8' + 8' + 4' = 2 MC + 2 MC + 2MC = 6 MC total.  
Push fixtures together at each connection until end caps touch.



### Adjustable Angles

