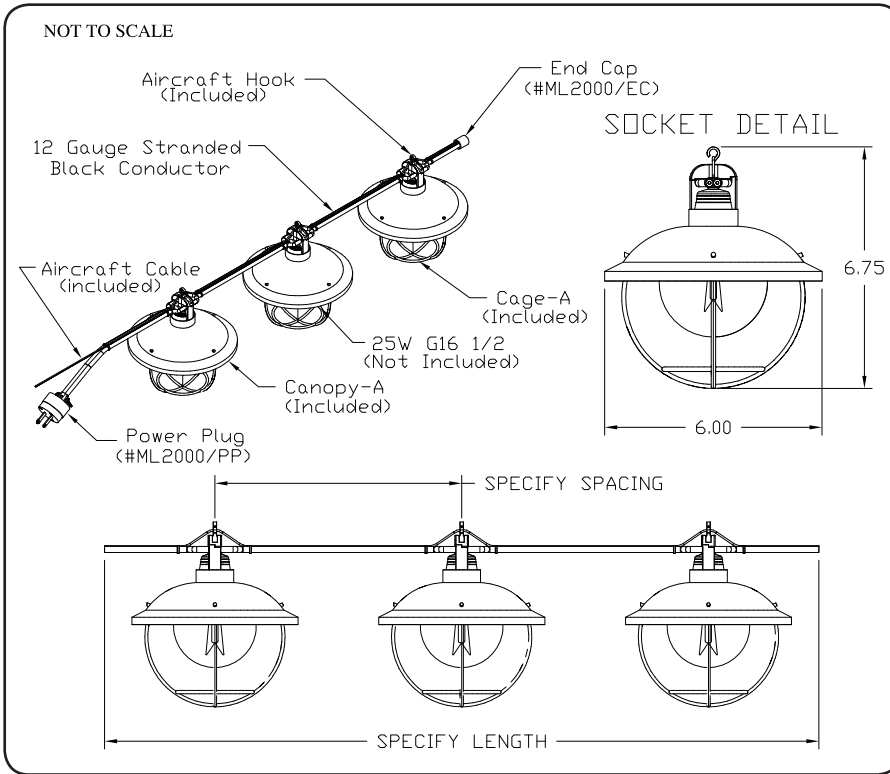


Drawing # ML3



Fixture Type

Product Features

- Applications:** Indoor and Outdoor
- Voltage:** 120V or 12V
- Socket Base:** Medium Base
- Length:** Built to Order
- Finish:** Black
- Feed:** Standard 6' Leads
- Mounting:** Aircraft Cable Included
- Listing:** Dry or Wet Location
- Options:** LED Lamps
Mesh Canopies

Lamp Specifications

Lamp #	Description	Volts	Watts	Max. Watts Per Run	12" O/C	18" O/C	24" O/C
120V	Any Medium Base Lamp	120		1920W			
12V/5W	5 Watt Incandescent	12	5	240W(48 Lamps)	48'	72'	96'
12V/15W	15 Watt Incandescent	12	15	240W(16 Lamps)	16'	24'	32'

How to Order or Specify

Product Code: (Fill in the Blanks)

ML2000 / _____ / _____ / CACA / _____ / _____ / _____

Ex.: ML2000	12"	120V	CACA	Wet	WH	BK
Series	Spacing	Lamp #	Canopy	Dry or Wet	Canopy Inside	Canopy Outside
ML2000	12" O/C	120V	Canopy A w/ Cage(CACA)	Indoor (Dry)	Natural (NA)	Natural (NA)
	18" O/C	12V/5W		Outdoor (Wet)	Chrome (CR)	Chrome (CR)
	24" O/C	12V/10W			White (WH)	White (WH)
	36" O/C				Black (BK)	Black (BK)
	48" O/C				Green (GN)	Green (GN)
					Red (RD)	Red (RD)
					Silver (SR)	Silver (SR)

- Custom Spacing Available
- 120V Lamps are not included. Choose from the variety of 120V medium base lamps available
- 12V Lamps Included with 12V/5W or 12V/15W

Applications

Designed for indoor and outdoor use, MarketLite is ideal for many applications including the amusement, recreation, and architectural industries.

MarketLite is used in:

- Restaurants
- Casinos
- Street decorations
- Amusement parks
- Shopping malls
- Promenades and many more

Electrical

MarketLite is available in 120 Volts or 12 Volts. MarketLite is a 20 amp system (12 gauge wire). If using 12 Volt lamps, a 12 Volt (secondary side) transformer is required. Our standard transformer primary side voltage is 120 Volts. Consult factory for other voltages.

Installation

MarketLite is an easy-to-install lighting product that can be field cut to meet your requirements.

Date:		Specifier:	
		Project:	



2034 E. Lincoln Ave. # 431 • Anaheim, CA 92806
 TF: 800.921.CALI (2254) • PH: 714-535-7900 • FX: 714.535.7902
 Web site: www.calilighting.com • E-mail: info@calilighting.com

