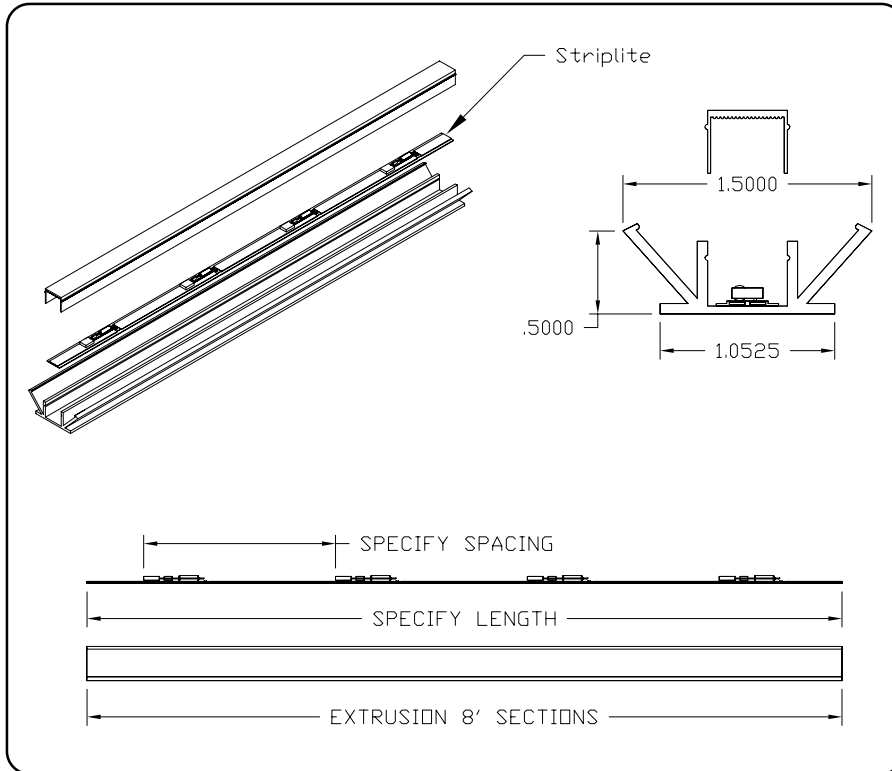


Drawing # LL7



Product Information

Applications: Accent, Linear, Cove, Undercounter
Volts: 12V
Lamps: Incandescent or LEDs
Lamp Life: See Lamp Specifications
Socket: Custom
Extrusion: White Plastic V-Reflector

Indoor Applications

- Amusement Industries**
Night Clubs, Movie Theatres
- Recreation Industries**
Hotels, Restaurants, Casinos
- Architectural Industries**
Interior Decor, Shopping Centers
- Construction Industries**

Lamp Specifications

Catalog #	Description	Volts	Watts	Lamp Life Hrs.	Max. Lamps Per Run	4" O/C	6" O/C	12" O/C	18" O/C
IN-A	.33 Watt Incandescent	12	.33	80,000	500	166'	250'	500'	750'
IN-B	.86 Watt Incandescent	12	.86	90,000	209	69'	104'	209'	313'
LED-A	LED Amber	12	.20	100,000	1000	333'	500'	500'	500'
LED-BA	LED Bright Amber	12	.45	100,000	260	86'	130'	260'	390'
LED-Y	LED Yellow	12	.20	100,000	1000	333'	500'	500'	500'
LED-BY	LED Bright Yellow	12	.45	100,000	260	86'	130'	260'	390'
LED-R	LED Red	12	.20	100,000	1000	333'	500'	500'	500'
LED-BR	LED Bright Red	12	.45	100,000	260	86'	130'	260'	390'
LED-G	LED Green	12	.20	100,000	1000	333'	500'	500'	500'
LED-BG	LED Bright Green	12	.45	100,000	260	86'	130'	260'	390'

Specifier: _____
Series /Lens/Spacing/Lamp
Product Code: LPL8700 / * C / _____ / _____
Project: _____
Type: _____
Date: _____
 * Note: Lens is Clear

Application and Construction

Designed to utilize Light Emitting Diodes (LEDs) or incandescent lamps, LipLite provides many desirable features. Of primary importance is the long lamp life of the LEDs. This helps reduce maintenance in the future. LEDs also consume 1/3 less wattage than incandescent bulbs.

LipLite can be field cut for an easy and fast installation. LipLite is excellent to illuminate undercounters, shelves, or any area that requires a soft glow of light. LipLite can also be used as linear or accent lighting.

Suggested spacing is 2" or 3" on center for even illumination and 12" on center for accent or linear light.

Electrical

LipLite is a 12 Volt system with a 15 amp (14 gauge wire) capacity. LipLite requires a 12 Volt (secondary side) transformer. The standard transformer primary side voltage is 120V. Consult factory for other voltages. A Thermal Breaker Box is used for secondary protection.

Material: White Flat Conductor.