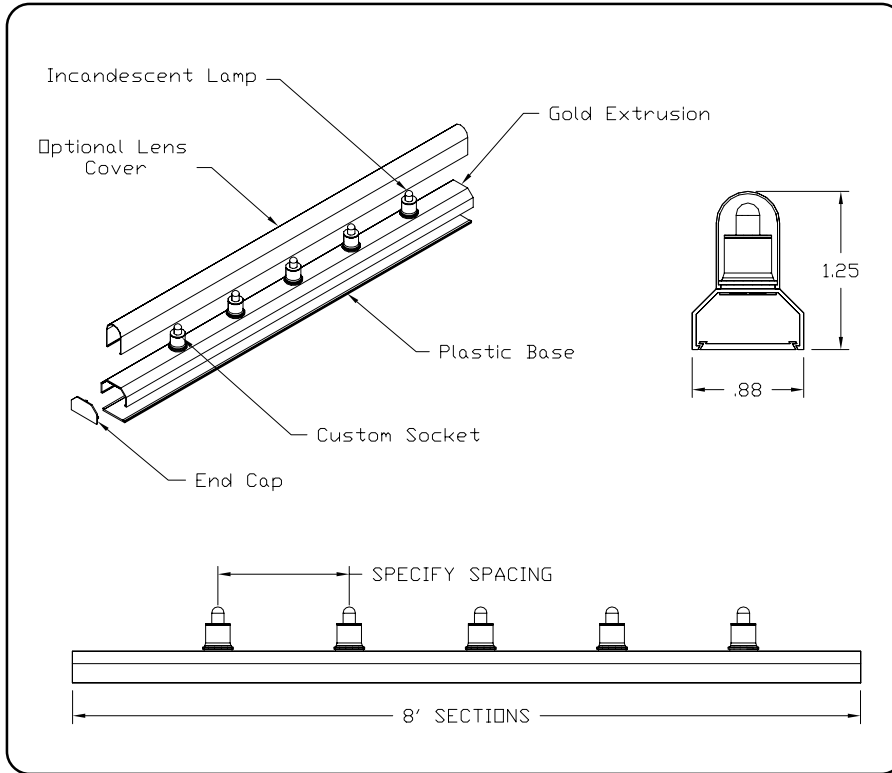


Drawing # EL1



**Product Information**

- Applications:** Cove, Linear, Accent, Decorative
- Volts:** 24V
- Lamps:** Incandescent .9W or 1.8W
- Lamp Life:** 30,000 Hrs.
- Socket:** Clear Custom
- Extrusion:** Gold Extrusion

**Indoor & Outdoor Applications**

- Amusement Industries**  
Night Clubs, Movie Theatres
- Recreation Industries**  
Hotels, Restaurants, Casinos
- Architectural Industries**  
Interior Decor, Shopping Centers
- Construction Industries**

**Lamp Specifications**

Catalog #	Description	Volts	Watts	Lamp Life Hrs.	Max. Lamps Per Run	3" O/C	6" O/C	12" O/C	18" O/C
.9W	.9 Watt Incandescent	24	4.5	30,000	213	53'	106'	213'	319'
1.8W	1.8 Watt Incandescent	24	5.4	30,000	106	26'	53'	106'	59'

**Specifier:** \_\_\_\_\_

**Product Code:** **Series /Lamp/Volts/Cap/Lens/Spacing/Wet-Dry**  
 EL9000/ / 24V / / / / /

**Project:** \_\_\_\_\_

**Type:** \_\_\_\_\_

**Date:** \_\_\_\_\_

\* Note: in cap area write WNC if you do not want a cap on lamp. WCC for a clear cap. You can not choose lens if you have a cap. Write NLE for no lens. If you want the optional lens cover write WLE. If you want a clear lens you must choose WNC(with no cap) for cap.

**Application and Construction**

Designed to utilize a gold extrusion, ExtruLite provides many desirable features. Of primary importance is the option of incandescent lamps with a long lamp life. The gold extrusion helps protect the system from harsh weather and damage to the wiring. Easy lamp replacement helps reduce maintenance in the future.

ExtruLite is mounted easily by first mounting the base of the gold extrusion and then snapping together the top part. ExtruLite is shipped in 8' sections for field cutting.

ExtruLite is excellent to illuminate areas in casinos, hotels, retail shops, restaurants, etc. Suggested spacing is 6" on center.

**Electrical**

ExtruLite is a 24 Volt system with an 8 amp (18 gage wire) capacity. ExtruLite requires a 24 volt (secondary side) transformer. The standard transformer primary side is 120V. Consult factory for other primary side voltages.

**Optional Accessories**

ExtruLite is available with a lens