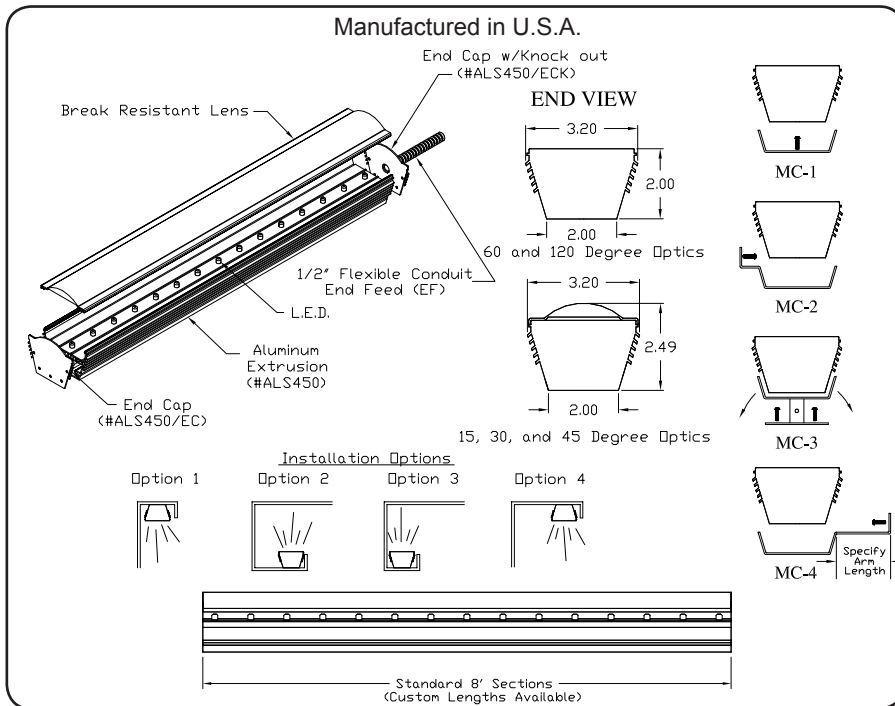


Drawing # ALS450T

Manufactured in U.S.A.



Fixture Type	
---------------------	--

Product Features

- Applications:** Indoor and Outdoor
- Voltage:** 120V
- Lamp Type:** High Output LEDs
- Length:** Built to Order
- Construction:** Aluminum Extrusion
- Light Output:** Refer to IES Files
- Mounting:** Clip-on Brackets
- Listing:** Dry and Wet Location
- Dimming:** Standard 0-10V PWM

Applications

Designed for indoor and outdoor use, AlumLEDs is ideal for many applications including the amusement, recreation, and architectural industries. AlumLEDs is excellent for cove lighting, undercabinet lighting, accent lighting, and many more applications.

AlumLEDs is used in:

- Restaurants
- Casinos
- Retail Stores/Shopping Malls
- Hotels
- Homes and many more

LED Specifications

Lamp #	Description	L70 LED Life	Max Watts Per Circuit	8 Watts Per Foot	6 Watts Per Foot	4 Watts Per Foot	3 Watts Per Foot
LED-2.7K	2700K Warm White LED	50,000 hrs.	320 VA	40'	50'	80'	100'
LED-3.0K	3000K Warm White LED	50,000 hrs.	320 VA	40'	50'	80'	100'
LED-3.5K	3500K Neutral White LED	50,000 hrs.	320 VA	40'	50'	80'	100'
LED-4.0K	4000K Neutral White LED	50,000 hrs.	320 VA	40'	50'	80'	100'
LED-4.5K	4500K Neutral White LED	50,000 hrs.	320 VA	40'	50'	80'	100'
LED-5.0K	5000K Cool White LED	50,000 hrs.	320 VA	40'	50'	80'	100'
LED-5.7K	5700K Cool White LED	50,000 hrs.	320 VA	40'	50'	80'	100'
LED-6.5K	6500K Cool White LED	50,000 hrs.	320 VA	40'	50'	80'	100'

White LEDs are available in increments of 100K from 2700K to 7000K. For example, Warm White LEDs can be specified in 2700K, 2800K, 2900K, 3000K, 3100K, 3200K, 3300K, or 3400K. Specific color temperatures can be specified by adding 2.9K for 2900K after LED part number: LED-2.9K.

How to Order or Specify

Product Code: (Fill in the Blanks)

____ / SP / ____ / ____ / ____ / ____ / ____ / ____ / ____

Ex.: ALS450T	SP	WH	LED-2.7K	45D	8W/36"	MC-4/3"	EF	Dry
Series	Straight Pieces	Finish	LED	Beam Spread	Watts Per Foot Fixture Length	Mounting	Feed Point	Dry or Wet
ALS450T	Straight Pieces	Natural (NA)	LED-2.7K	15 Degree (15D)	12 Watts (12W)	MC-1	End Feed	Indoor (Dry)
ALS450T-F	(SP)	Polished (PA)	LED-3.0K	30 Degree (30D)	8 Watts (8W)	MC-2	(EF)	Outdoor (Wet)
F = Frosted Lens		White (WH)	LED-3.5K	45 Degree (45D)	6 Watts (6W)	MC-3	Side Feed	
		Satin (SA)	LED-4.0K	60 Degree (60D)	4 Watts (4W)	MC-4/Length*	(SF)	
		Black (BK)	LED-4.5K	120 Degree (120D)	3 Watts (3W)	*On MC-4 Specify Arm Length in Inches	Bottom Feed	
		Green (GN)	LED-5.0K		2 Watts (2W)		(BF)	
		Red (RD)	LED-5.7K		Specify up to 24 Watts/Foot			
		Silver (SR)	LED-6.5K					

Electrical

AlumLEDs is a line voltage (120 Volts) led luminaire with integral drivers. Luminaire is available with 0-10V PWM dimming capabilities. Add "DM" after watts per foot for dimming (8W/DM). Consult factory for 277V.

Date:		Specifier:		Project:	
-------	--	------------	--	----------	--



2034 E. Lincoln Ave. # 431 • Anaheim, CA 92806
 TF: 800.921.CALI (2254) • PH: 714-535-7900 • FX: 714.535.7902
 Web site: www.calilighting.com • E-mail: info@calilighting.com

