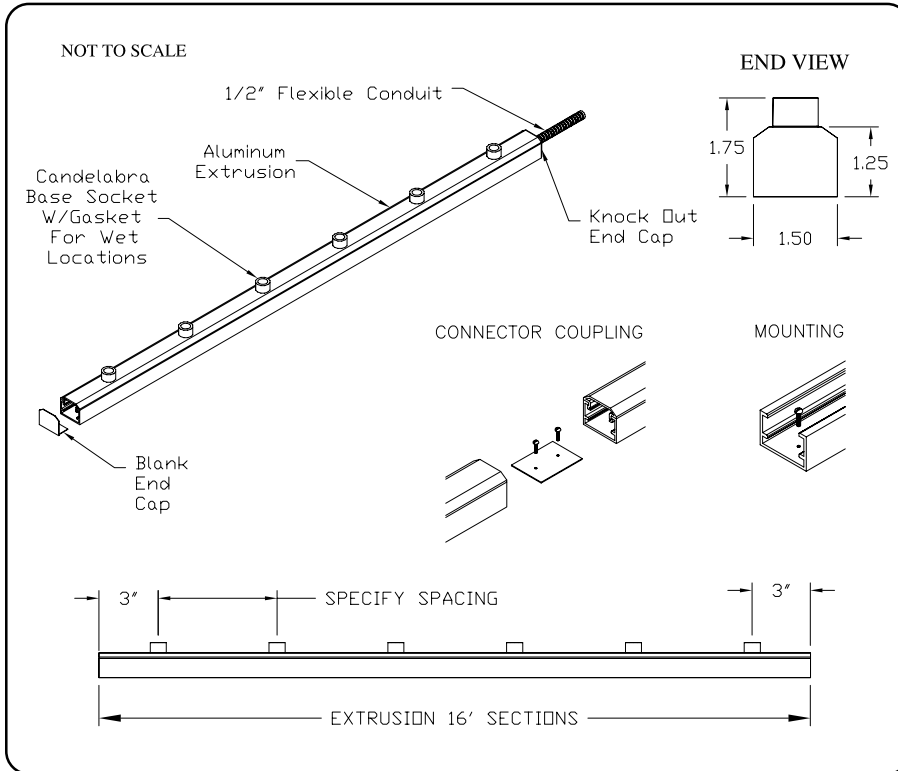


Drawing # ALS401



**Product Information**

**Applications:** Wall Wash, Accent, Linear  
**Volts:** 120V  
**Lamps:** Incandescent or LED Lamps Not Included  
**Socket:** Candelabra Base  
**Extrusion:** Aluminum Extrusion

**Indoor Applications**

- Amusement Industries**  
Night Clubs, Movie Theatres
- Recreation Industries**  
Hotels, Restaurants, Casinos
- Architectural Industries**  
Interior Decor, Shopping Centers
- Construction Industries**

**Application and Construction**

Designed to utilize candelabra base sockets, AlumLite 200 Series provides many desirable features. Of primary importance, is the option of an indoor (dry) or outdoor (wet) system. AlumLite has the option of different colors: Natural aluminum, satin, anodized black, anodized gold, anodized chrome, white or a custom powder coat.

**Electrical**

AlumLite Candelabra Base is a 120V system with the option of using 12V or 24V lamps. A transformer is not required for 120V lamps.

Lamps: You have the option of choosing from the variety of candelabra base lamps available in the market.

**Material:** Aluminum Extrusion

**Specifier:** \_\_\_\_\_

**Project:** \_\_\_\_\_

**Type:** \_\_\_\_\_

**Date:** \_\_\_\_\_

**\* Note: Lamps Not Included**

**How to Order or Specify**

Product Code: (Fill in the blanks)

Example: ALS200	SA	SP	CB	6"	Dry	
Series	Finish	SP/FC/MC/CC	Lamp Base	Lamp Spacing	Dry or Wet	*Optional
ALS200	Natural Aluminum - SA	Straight Pieces - SP	Candelabra Base - CB	4" on center - 4"	Indoor - Dry	Baffle 3"x3"-BAF3
	Satin - SA	Field Curving - FC		6" on center - 6"	Outdoor - Wet	Baffle 4"x4"-BAF4
	White - WH	Miter Curving - MC		12" on center - 12"		Baffle 6"x6"-BAF6
	Anodized Black - AB	Custom Curving - CC		24" on center - 24"		
	Anodized Chrome - AC					
	Anodized Gold - AG					

\* You have the option of using a baffle with your system. Leave blank if you do not want a baffle.