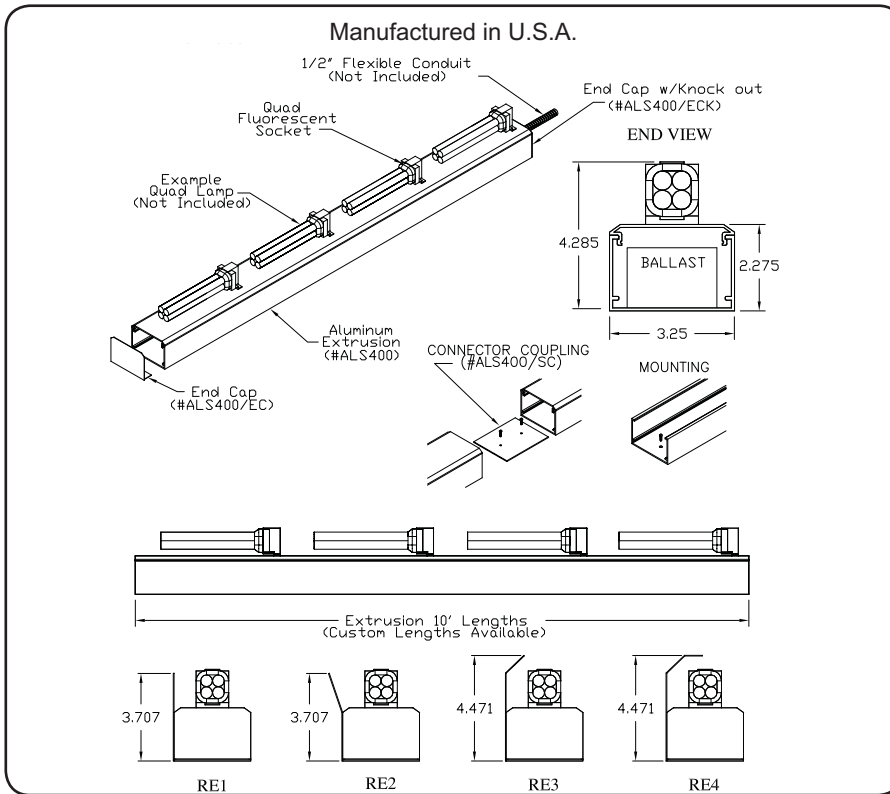


Drawing # ALS400F



<b>Fixture Type</b>	
---------------------	--

### Product Features

- Applications:** Cove, Indirect Lighting
- Mounting:** Standard Lamps  
Straight Runs
- Voltage:** 120V/277
- Lamp Type:** Quad Fluorescent  
(Lamps Not Included)
- Socket Type:** G24D-2, G24Q
- Length:** Built to Order
- Construction:** Aluminum Extrusion
- Light Output:** Refer to IES Files
- Ballast:** Integral Ballast
- Listing:** Dry and Damp Location  
Meets UL1598

### Lamp Specifications

Lamp #	Watts	Socket	Pins	Standard Spacing
QT18	18	G24D-2	2 Pin	8" O/C
QT26	26	G24-D2	2 Pin	9" O/C
QT13-1	13	G24Q-1	4 Pin	7" O/C
QT18-2	18	G24Q-2	4 Pin	8" O/C
QT26-3	26	G24Q-3	4 Pin	8" O/C

### How to Order or Specify

**Product Code: (Fill in the Blanks)**

ALS400F / / / SP / / /

Ex.: ALS400F	QT18	WH	SP	120V	
Series	Lamp	Finish	SP	Voltage	Reflectors
ALS400F	QT18	Natural Aluminum (NA)	Straight Pieces (SP)	120V	RE1
	QT26	Satin (SA)		277V	RE2
	QT13-1	White (WH)		Specify	RE3
	QT18-2	Anodized Black (AB)		for other	RE4
	QT26-3	Anodized Chrome (AC)		Voltages	Leave
		Powder Coat (PC)			Blank If
					Reflector
					Is Not
					Required

**Applications**

Designed for indoor use, AlumLite is ideal for many applications including the amusement, recreation, and architectural industries. AlumLite is excellent for cove lighting, undercabinet lighting, accent lighting, and many more applications.

AlumLite is used in:

- Restaurants
- Casinos
- Retail Stores/Shopping Malls
- Hotels
- Homes and many more

**Electrical**

AlumLite Quad Performance Compact Fluorescent Series is supplied with an integral 120V or 277V ballast. Consult factory for other voltages. For dimming ballasts add a DM after the lamp. Ex. 18W/DM. Dimming only for 4 Pin Lamps.

**Lamps**

Compact Fluorescent Lamps are not included with the fixture.

**Material**

Aluminum Extrusion available in natural aluminum, anodizing, or powder coating.

Date:	Specifier:	Project:	
-------	------------	----------	--

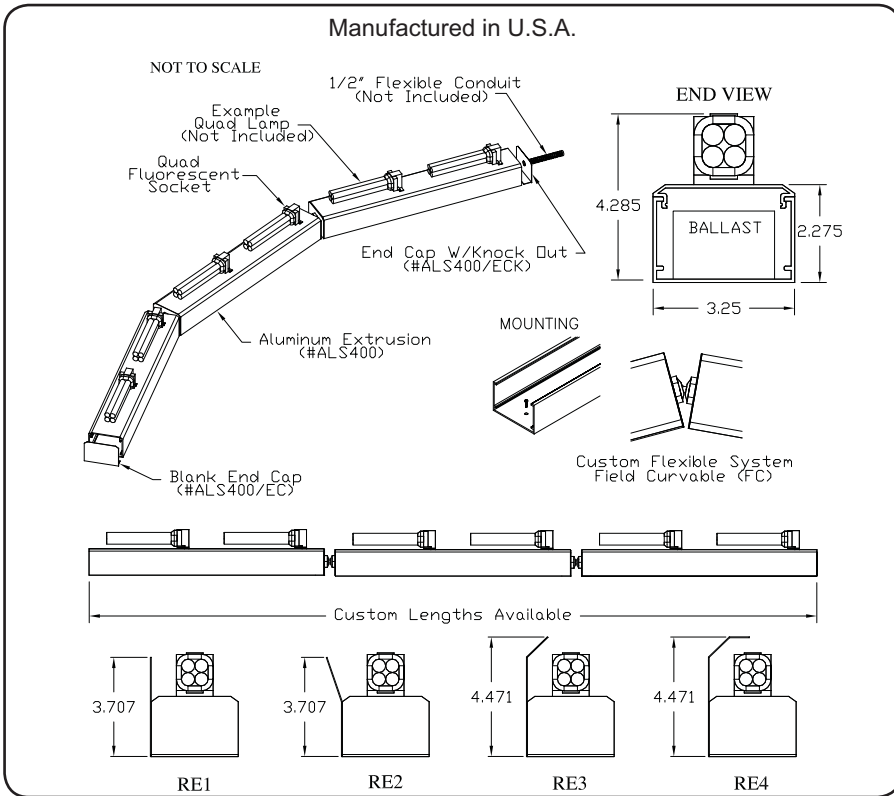


2034 E. Lincoln Ave. # 431 • Anaheim, CA 92806  
 TF: 800.921.CALI (2254) • PH: 714-535-7900 • FX: 714.535.7902  
 Web site: www.calilighting.com • E-mail: info@calilighting.com



Drawing # ALS400F

Manufactured in U.S.A.



## Fixture Type

### Product Features

- Applications:** Cove, Indirect Lighting
- Mounting:** Standard Lamps  
Field Curvable System
- Voltage:** 120V/277
- Lamp Type:** Quad Fluorescent  
(Lamps Not Included)
- Socket Type:** G24D-2, G24Q
- Length:** Built to Order
- Construction:** Aluminum Extrusion
- Light Output:** Refer to IES Files
- Ballast:** Integral Ballast
- Listing:** Dry and Damp Location  
Meets UL1598

### Lamp Specifications

Lamp #	Watts	Socket	Pins	Standard Spacing
QT18	18	G24D-2	2 Pin	8" O/C
QT26	26	G24-D2	2 Pin	9" O/C
QT13-1	13	G24Q-1	4 Pin	7" O/C
QT18-2	18	G24Q-2	4 Pin	8" O/C
QT26-3	26	G24Q-3	4 Pin	8" O/C

### How to Order or Specify

#### Product Code: (Fill in the Blanks)

ALS400F / \_\_\_\_\_ / \_\_\_\_\_ / FC / \_\_\_\_\_ / \_\_\_\_\_

Ex.: ALS400F	QT18	WH	FC	120V	
Series	Lamp	Finish	FC	Voltage	Reflectors
ALS400F	QT18	Natural Aluminum (NA)	Field Curvable	120V	RE1
	QT26	Satin (SA)	(FC)	277V	RE2
	QT13-1	White (WH)		Specify	RE3
	QT18-2	Anodized Black (AB)		for other	RE4
	QT26-3	Anodized Chrome (AC)		Voltages	Leave
		Powder Coat (PC)			Blank If
					Reflector
					Is Not
					Required

### Applications

Designed for indoor use, AlumLite is ideal for many applications including the amusement, recreation, and architectural industries. AlumLite is excellent for cove lighting, undercabinet lighting, accent lighting, and many more applications.

AlumLite is used in:

- Restaurants
- Casinos
- Retail Stores/Shopping Malls
- Hotels
- Homes and many more

### Electrical

AlumLite Quad Performance Compact Fluorescent Series is supplied with an integral 120V or 277V ballast. Consult factory for other voltages. For dimming ballasts add a DM after the lamp. Ex. 18W/DM. Dimming only for 4 Pin Lamps.

### Lamps

Compact Fluorescent Lamps are not included with the fixture.

### Material

Aluminum Extrusion available in natural aluminum, anodizing, or powder coating.

Date:

Specifier:

Project:



2034 E. Lincoln Ave. # 431 • Anaheim, CA 92806  
 TF: 800.921.CALI (2254) • PH: 714-535-7900 • FX: 714.535.7902  
 Web site: www.calilighting.com • E-mail: info@calilighting.com

