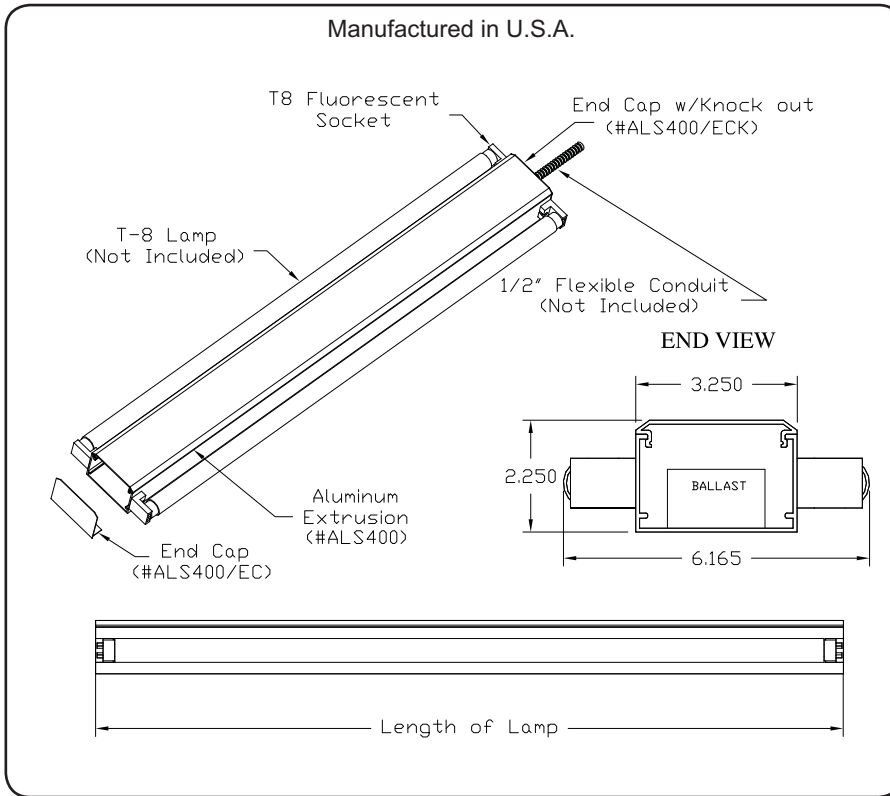


Drawing # ALS400C-F2

Manufactured in U.S.A.



Fixture Type	
---------------------	--

Product Features

- Applications:** Cove, Indirect Lighting
- Mounting:** Standard
Straight Runs
- Voltage:** 120V/277
- Lamp Type:** T8 - Linear Fluorescent
(Lamps Not Included)
- Socket Type:** Medium Bi-Pin
- Length:** Built to Order
- Construction:** Aluminum Extrusion
- Light Output:** Refer to IES Files
- Listing:** Dry and Damp Location
- Ballast:** Integral Ballast
- Reflectors:** Optional

Lamp Specifications

Lamp #	Watts	Socket	Pins	Standard Length	Lamp #	Watts	Socket	Pins	Standard Length
15W	15	Bi-Pin	2 Pin	24"	32W	32	Bi-Pin	2 Pin	48"
17W	17	Bi-Pin	2 Pin	24"	34W	34	Bi-Pin	2 Pin	48"
25W	25	Bi-Pin	2 Pin	36"	40W	40	Bi-Pin	2 Pin	60"

How to Order or Specify

Product Code: (Fill in the Blanks)

ALS400C-F2 / _____ / _____ / SP / _____

Ex.: ALS400C-F2	13W	WH	SP	120V
Series	Lamp	Finish	SP	Voltage
ALS400C-F2	15W	Natural Aluminum (NA)	Straight Pieces (SP)	120V
	17W	Satin (SA)		277V
	25W	White (WH)		Specify for other Voltages
	32W	Anodized Black (AB)		
	34W	Anodized Chrome (AC)		
	40W	Powder Coat (PC)		

Applications

Designed for indoor use, AlumLite is ideal for many applications including the amusement, recreation, and architectural industries. AlumLite is excellent for cove lighting, undercabinet lighting, accent lighting, and many more applications.

AlumLite is used in:

- Restaurants
- Casinos
- Retail Stores/Shopping Malls
- Hotels
- Homes and many more

Electrical

AlumLite Linear Fluorescent Series is supplied with an integral 120V or 277V ballast. Consult factory for other voltages.

Lamps

Linear Fluorescent Lamps are not included with the fixture.

Material

Aluminum Extrusion available in natural aluminum, anodizing, or powder coating.

Date:	Specifier:	Project:	
-------	------------	----------	--



2034 E. Lincoln Ave. # 431 • Anaheim, CA 92806
 TF: 800.921.CALI (2254) • PH: 714-535-7900 • FX: 714.535.7902
 Web site: www.calilighting.com • E-mail: info@calilighting.com

