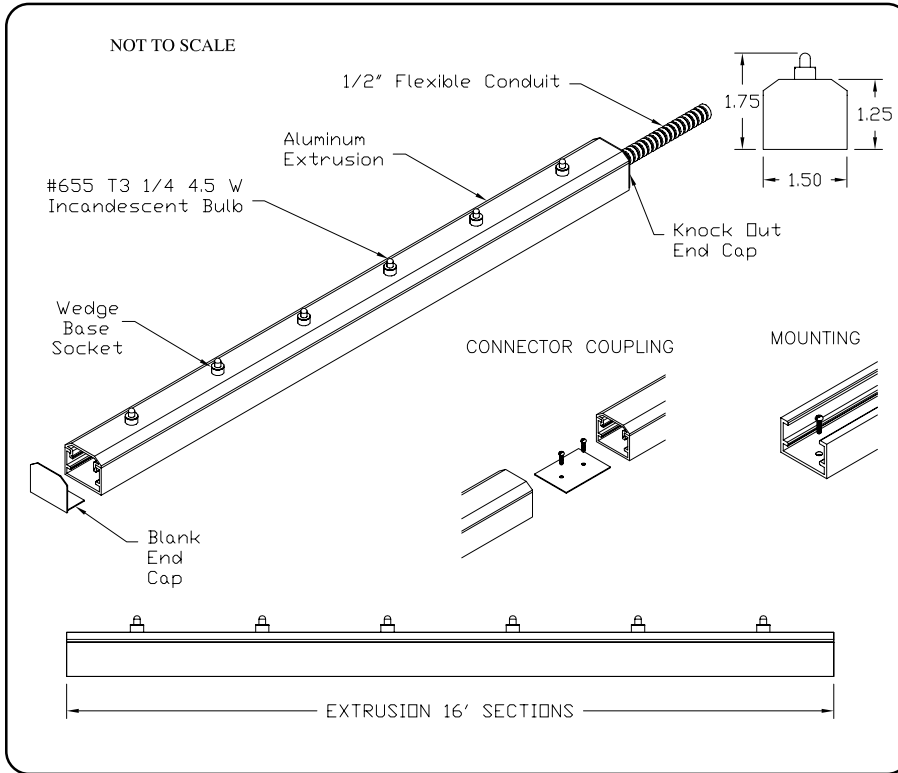


Drawing # ALS351



**Product Information**

**Applications:** Linear, Accent, Indirect Lighting  
**Volts:** 24V (12V Available Upon Request)  
**Lamps:** Wedge 4.5W, 5W or 7W (Included)  
**Lamp Life:** See Lamp Specifications  
**Socket:** Wedge Base

**Specifier:** \_\_\_\_\_  
**Project:** \_\_\_\_\_  
**Type:** \_\_\_\_\_  
**Date:** \_\_\_\_\_

**Application and Construction**

Designed to utilize wedge base lamps, AlumLite 200 Wedge Base Series provides many desirable features. Of primary importance, is the option of the long lamp life of incandescent lamps for a warm color. For a whiter color, xenon lamps are excellent.

Wedge Base sockets are mounted in an aluminum extrusion to protect the wiring from the harsh environment.

AlumLite 200 Wedge Base Series is excellent for outdoor use. It also has the option of different colors: Natural aluminum, satin, anodized black, anodized gold, anodized chrome, white, or custom powder coat.

Suggested spacing is 6" or 12" on center for linear lighting on exterior of buildings. For a even illumination for indirect lighting, suggested spacing is 4" on center.

**Lamp Specifications**

Catalog #	Description	Volts	Watts	Lamp Life Hrs.	Max. Lamps Per Run	4" O/C	6" O/C	12" O/C	24" O/C
4W	4 Watt Incandescent	24	4.5	42,000	106	35'	53'	106'	212'
5W	5 Watt Xenon	24	5.4	10,000	88	29'	44'	88'	176'
7W	7 Watt Xenon	24	7.5	10,000	64	21'	32'	64'	128'
4WF	4 Watt Incand. Frosted	24	4.5	42,000	106	35'	53'	106'	212'
5WF	5 Watt Xenon Frosted	24	5.4	10,000	88	29'	44'	88'	176'
7WF	7 Watt Xenon Frosted	24	7.5	10,000	64	21'	32'	64'	128'

**How to Order or Specify**

Product Code: (Fill in the blanks)

ALS200 / / / WB / /

Example: ALS200	SA	SP	WB	12"	4W
Series	Finish	SP/FC/MC/CC	Lamp Base	Lamp Spacing	Lamp
ALS200	Natural Aluminum - SA	Straight Pieces - SP	Wedge Base - WB	4" on center - 4"	4W
	Satin - SA	Field Curvable - FC		6" on center - 6"	5W
	White - WH	Miter Curving - MC		12" on center - 12"	7W
	Anodized Black - AB	Custom Curving - CC		24" on center - 24"	4WF
	Anodized Chrome - AC			5WF	
	Anodized Gold - AG			7WF	

**Electrical**

AlumLite Wedge Base is a 24 volt system with a 15 amp capacity that requires a 120V (primary side)/24V (secondary side) transformer (Not Included). Specify other primary side voltage if different than 120V.

Custom curving is available for archways not requiring any miter cutting.