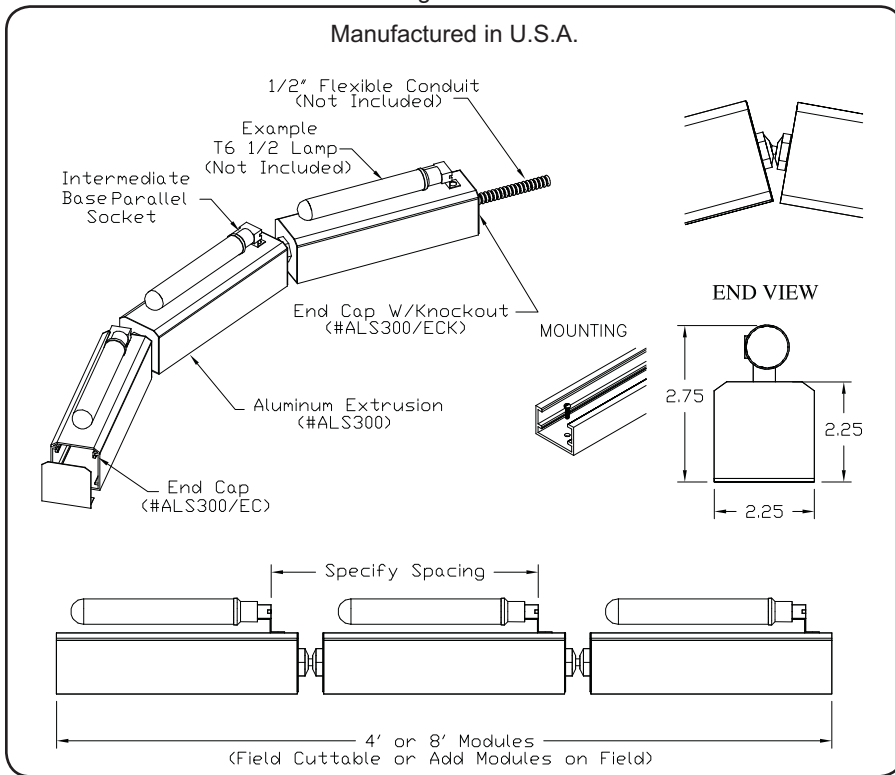


Drawing # ALS300N

Manufactured in U.S.A.



Fixture Type

Product Features

- Applications:** Accent, Linear Lighting
- Voltage:** 120V
- Socket Base:** Intermediate Base
- Length:** Built to Order
- Finish:** Natural Aluminum
- Housing:** Extruded Aluminum
- Listing:** Dry or Damp Location
- Lamps:** LED Lamps (Included)
Incandescent Lamps (Not Included)
- Optional:** Reflector
- Max. Watts:** Per Circuit

Lamp Specifications

Lamp #	Description	Watt	Max. Watts	4" o/c	6" o/c	8" o/c	9" o/c	12" o/c
LED-WW	Warm White LED 2800K	2.5	600	80'	120'	160'	180'	240'
LED-CW	Cool White LED 3500K	2.5	600	80'	120'	160'	180'	240'
LED-R	Red LED	2.5	600	80'	120'	160'	180'	240'
LED-G	Green LED	2.5	600	80'	120'	160'	180'	240'
LED-B	Blue LED	2.5	600	80'	120'	160'	180'	240'
LED-A	Amber LED	2.5	600	80'	120'	160'	180'	240'
LED-RGB	7 Color Changing LED	2.5	600	80'	120'	160'	180'	240'
120V	Incandescent Lamp		1920	Maximum Run Based on Watts of Lamp				

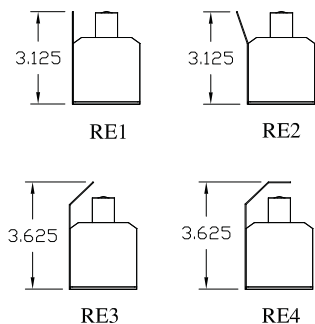
How to Order or Specify

Product Code: (Fill in the Blanks)

ALS300N / _____ / _____ FC / _____ / _____ / _____

Series	Finish	SP/FC/MC/CC	Spacing	Lamp #	*Optional
ALS300N	Natural (NA)	Field Curvable (FC)	8" O/C	120V	Reflector 1 (RE1)
	Polish (PA)		9" O/C	LED-WW	Reflector 2 (RE2)
	Satin (SA)		12" O/C	LED-CW	Reflector 3 (RE3)
	White (WH)			LED-R	Reflector 4 (RE4)
	Chrome (AC)			LED-G	Leave Blank For No Reflector
	Black (AB)			LED-B	
	Gold (AG)			LED-A	
				LED-RGB	

Aluminum Reflectors



Date:		Specifier:		Project:	
-------	--	------------	--	----------	--



2034 E. Lincoln Ave. # 431 • Anaheim, CA 92806
 TF: 800.921.CALI (2254) • PH: 714-535-7900 • FX: 714.535.7902
 Web site: www.calilighting.com • E-mail: info@calilighting.com

