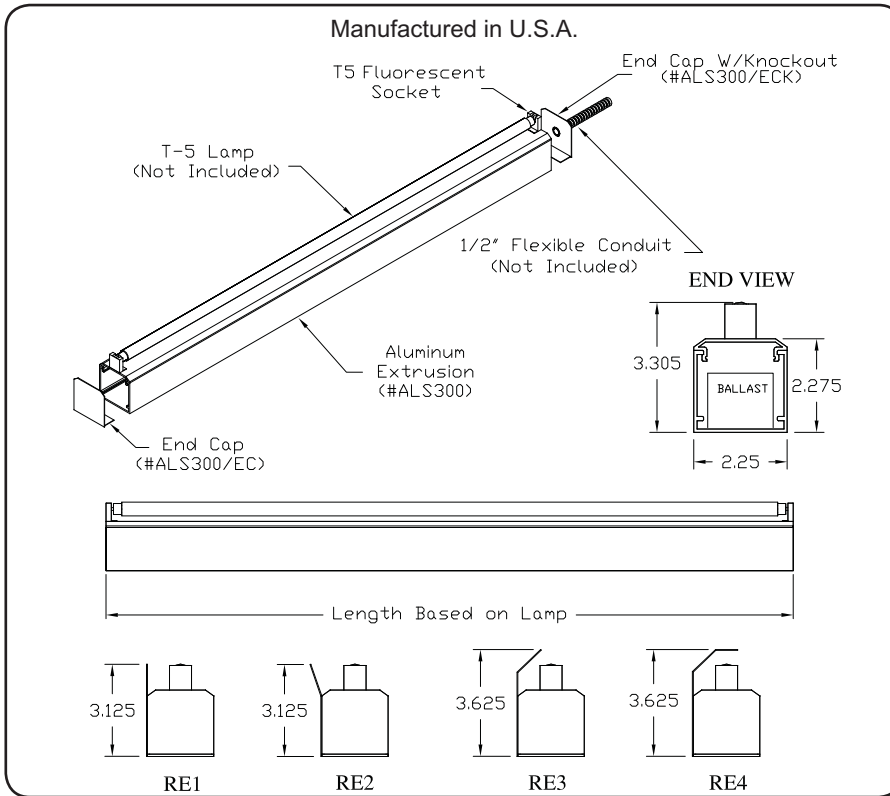


Drawing # ALS300B



<b>Fixture Type</b>	
---------------------	--

### Product Features

- Applications:** Cove, Indirect Lighting
- Mounting:** Standard  
Straight Runs
- Voltage:** 120V/277
- Lamp Type:** T5 - Linear Fluorescent (Lamps Not Included)
- Socket Type:** Miniature G5
- Length:** Built to Order
- Construction:** Aluminum Extrusion
- Light Output:** Refer to IES Files
- Listing:** Dry and Damp Location
- Ballast:** Integral Ballast
- Reflectors:** Optional

### Lamp Specifications

Lamp #	Watts	Socket	Pins	Standard Length	Lamp #	Watts	Socket	Pins	Standard Length
13W	13	G5	2 Pin	22"	24HO	24HO	G5	2 Pin	23"
14W	14	G5	2 Pin	23"	39HO	39HO	G5	2 Pin	35"
21W	21	G5	2 Pin	35"	54HO	54HO	G5	2 Pin	47"
28W	28	G5	2 Pin	47"	80HO	80HO	G5	2 Pin	58"
35W	35	G5	2 Pin	58"					

### How to Order or Specify

#### Product Code: (Fill in the Blanks)

ALS300B / \_\_\_\_\_ / \_\_\_\_\_ / SP / \_\_\_\_\_ / \_\_\_\_\_

Series	Lamp	Finish	SP	Voltage	Reflectors
Example: ALS300B	13W	WH	SP	120V	
ALS300B	13W	Natural Aluminum (NA)	Straight Pieces (SP)	120V	RE1
	14W	Satin (SA)		277V	RE2
	21W	White (WH)	Specify for other Voltages		RE3
	28W	Anodized Black (AB)			RE4
	35W	Anodized Chrome (AC)			Leave Blank If
	24HO	Powder Coat (PC)			Reflector
	39HO				Is Not
	54HO				Required
	80HO				

### Applications

Designed for indoor use, AlumLite is ideal for many applications including the amusement, recreation, and architectural industries. AlumLite is excellent for cove lighting, undercabinet lighting, accent lighting, and many more applications.

AlumLite is used in:

- Restaurants
- Casinos
- Retail Stores/Shopping Malls
- Hotels
- Homes and many more

### Electrical

AlumLite Linear Fluorescent Series is supplied with an integral 120V or 277V ballast. Consult factory for other voltages.

### Lamps

Linear Fluorescent Lamps are not included with the fixture.

### Material

Aluminum Extrusion available in natural aluminum, anodizing, or powder coating.

Date:		Specifier:		Project:	
-------	--	------------	--	----------	--

