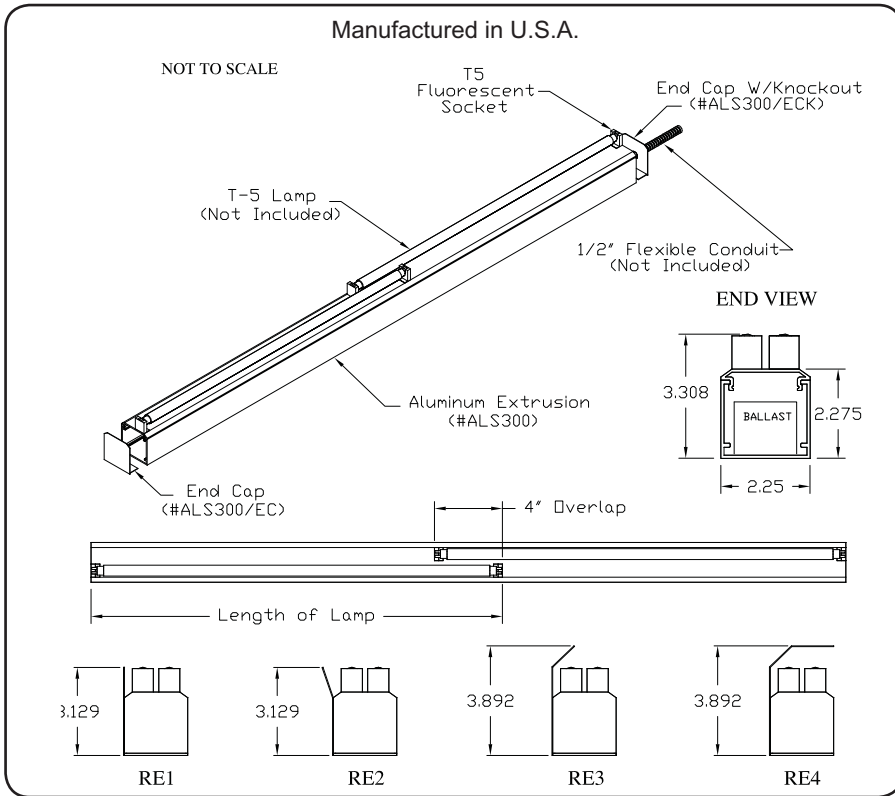


Drawing # ALS300B-ST

Manufactured in U.S.A.



Lamp Specifications

Lamp #	Watts	Socket	Pins	Standard Length
13W	13	G5	2 Pin	22"
14W	14	G5	2 Pin	23"
21W	21	G5	2 Pin	35"
28W	28	G5	2 Pin	47"
35W	35	G5	2 Pin	58"

How to Order or Specify

Product Code: (Fill in the Blanks)

ALS300B-ST / \_\_\_\_\_ / \_\_\_\_\_ / SP / \_\_\_\_\_ / \_\_\_\_\_

Series	Lamp	Finish	SP	Voltage	Reflectors
ALS300B-ST	13W	Natural Aluminum (NA)	Straight Pieces	120V	RE1
	14W	Satin (SA)	(SP)	277V	RE2
	21W	White (WH)		Specify for other Voltages	RE3
	28W	Anodized Black (AB)			RE4
	35W	Anodized Chrome (AC)			Leave Blank If
	24HO	Powder Coat (PC)			Reflector
	39HO				Is Not
	54HO				Required
	80HO				

<b>Fixture Type</b>	
---------------------	--

Product Features

- Applications:** Cove, Indirect Lighting
- Mounting:** Standard  
Straight Runs
- Voltage:** 120V/277
- Lamp Type:** T5 - Linear Fluorescent  
(Lamps Not Included)
- Socket Type:** Miniature G5
- Length:** Built to Order
- Construction:** Aluminum Extrusion
- Light Output:** Refer to IES Files
- Listing:** Dry and Damp Location
- Ballast:** Integral Ballast
- Reflectors:** Optional

Applications

Designed for indoor use, AlumLite is ideal for many applications including the amusement, recreation, and architectural industries. AlumLite is excellent for cove lighting, undercabinet lighting, accent lighting, and many more applications.

AlumLite is used in:

- Restaurants
- Casinos
- Retail Stores/Shopping Malls
- Hotels
- Homes and many more

Electrical

AlumLite Linear Fluorescent Series is supplied with an integral 120V or 277V ballast. Consult factory for other voltages.

Lamps

Linear Fluorescent Lamps are not included with the fixture.

Material

Aluminum Extrusion available in natural aluminum, anodizing, or powder coating.

Date:	Specifier:	Project:	
-------	------------	----------	--

