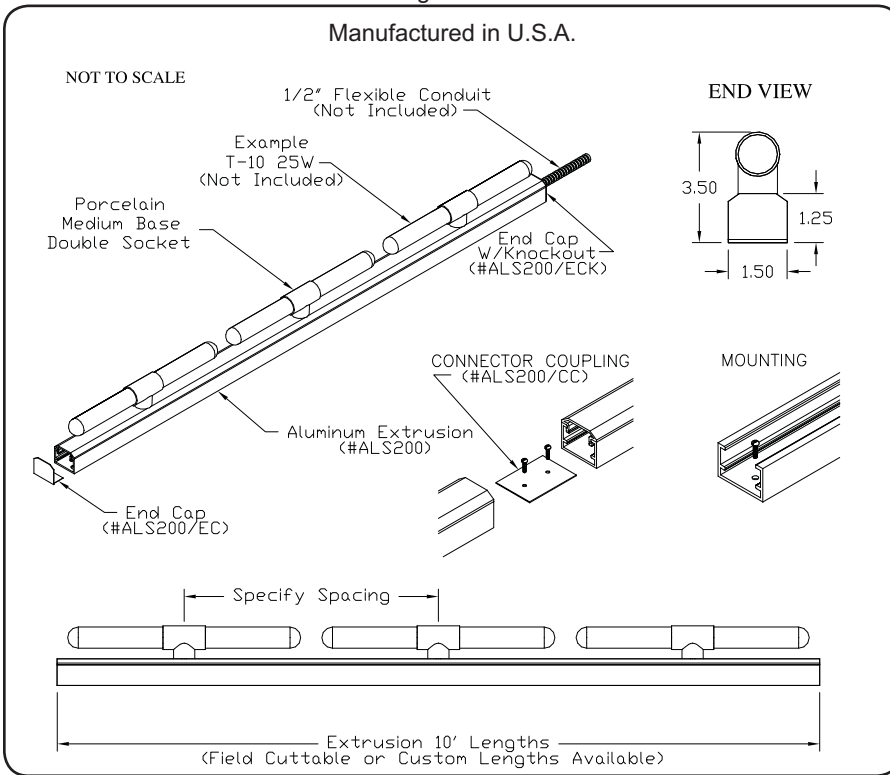


Drawing # ALS200S

Manufactured in U.S.A.

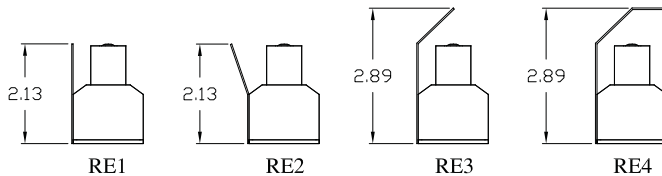


Fixture Type	
---------------------	--

Product Features

- Applications:** Accent, Linear Lighting
- Voltage:** 120V
- Socket Base:** Porcelain Medium Base
- Length:** Built to Order
- Finish:** Natural Aluminum
- Housing:** Extruded Aluminum
- Listing:** Dry or Damp Location
- Lamps:** T10 Incandescent Lamp (Not Included)
- Optional:** Reflectors

Aluminum Reflectors



Lamp Specifications

Lamp #	Description	Lumens	Lamp Life	Maximum Watts	12" o/c
15W	T10 Incandescent Lamp	115	5000	1920	41
25W	T10 Incandescent Lamp	25	5000	1920	29
40W	T10 Incandescent Lamp	40	5000	1920	19

How to Order or Specify

Product Code: (Fill in the Blanks)

ALS200S / _____ / _____ SP / _____ / _____ / _____

Ex.: ALS200S	NA	SP	25W	8"	
Series	Finish	SP/FC/MC/CC	Lamp	Spacing	*Optional
ALS200S	Natural (NA)	Straight Pieces (SP)	15W	8" O/C	Reflector 1 (RE1)
	Satin (SA)		25W	9" O/C	Reflector 2 (RE2)
	White (WH)		40W	12" O/C	Reflector 3 (RE3)
	Chrome (AC)				Reflector 4 (RE4)
	Black (AB)				Leave Blank For
	Gold (AG)				No Reflector

Applications

Designed for indoor applications, AlumLite is ideal for many applications including the amusement, recreation, and architectural industries.

AlumLite is used in:

- Restaurants
- Casinos
- Street decorations
- Amusement parks
- Shopping malls
- Promenades and many more

Electrical

AlumLite is a 120 Volt system with porcelain sockets designed for incandescent tubular T10 lamps. Choose from the variety of medium base T10 lamps available in the market. Lamps are not included.

Installation

AlumLite Series are an easy-to-install lighting luminaires that can be field cut to meet field dimensions.

Date:		Specifier:		Project:	
-------	--	------------	--	----------	--



2034 E. Lincoln Ave. # 431 • Anaheim, CA 92806
 TF: 800.921.CALI (2254) • PH: 714-535-7900 • FX: 714.535.7902
 Web site: www.calilighting.com • E-mail: info@calilighting.com

