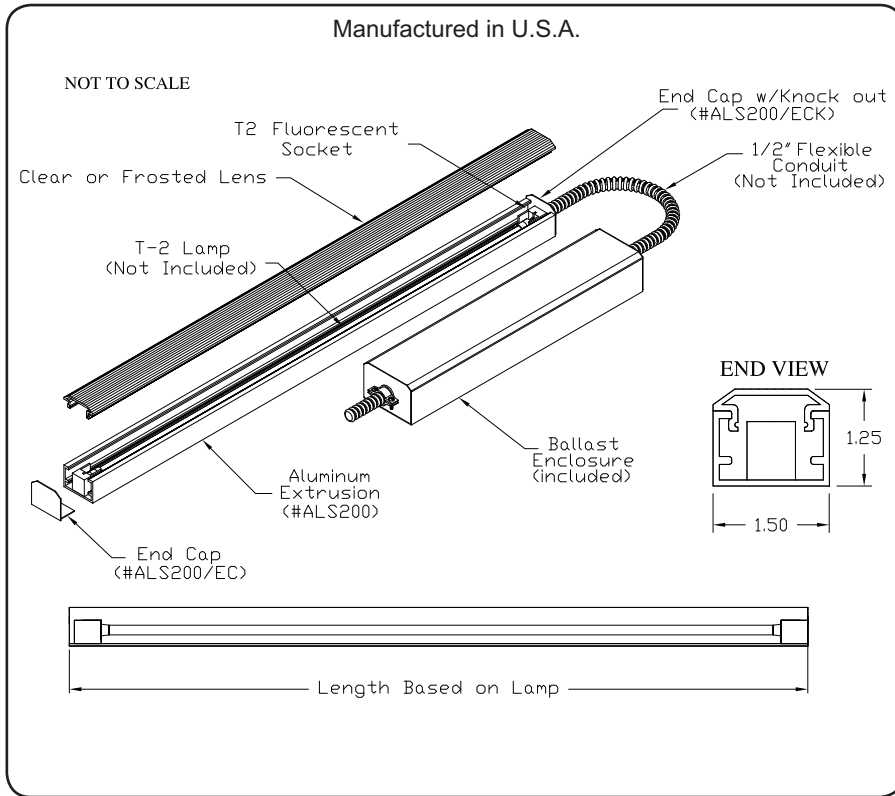


Drawing # ALS200A-RL

Manufactured in U.S.A.



Fixture Type	
---------------------	--

Product Features

- Applications:** Cove, Indirect Lighting
- Mounting:** Standard Lamps
Straight Runs
- Voltage:** 120V/277
- Lamp Type:** T-2 Tube Fluorescent
(Lamps Not Included)
- Socket Type:** Axial
- Length:** Built to Order
- Construction:** Aluminum Extrusion
- Light Output:** Refer to IES Files
- Listing:** Dry or Wet Location
- Ballast:** Remote Ballast
- Reflectors:** Optional

Lamp Specifications

Lamp #	Watts	Socket	Pin	Standard Length
6W	6	Axial	2	9"
8W	8	Axial	2	13"
11W	11	Axial	2	17"
13W	13	Axial	2	21"

Applications

Designed for indoor or outdoor use, AlumLite is ideal for many applications including the amusement, recreation, and architectural industries. AlumLite is excellent for cove lighting, undercabinet lighting, accent lighting, and many more applications.

AlumLite is used in:

- Restaurants
- Casinos
- Retail Stores/Shopping Malls
- Hotels
- Homes and many more

How to Order or Specify

Product Code: (Fill in the Blanks)

_____ / _____ / _____ / SP / _____ / _____					
Ex.: ALS200A-RL	13W	WH	SP	120V	D
Series	Lamp	Finish	SP	Voltage	Dry or Wet
ALS200A-RL	6W	Natural Aluminum (NA)	Straight Pieces (SP)	120V	Dry (D)
ALS200A-RL/F	8W	Satin (SA)		277V	Wet (W)
F = Frosted Lens	11W	White (WH)		Specify	
	13W	Anodized Black (AB)		for other	
		Anodized Chrome (AC)		Voltages	
		Powder Coat (PC)			

Electrical

AlumLite Linear Fluorescent Series is supplied with a remote 120V or 277V ballast. Consult factory for other voltages.

Lamps

Long Fluorescent Lamps are not included with the fixture.

Material

Aluminum Extrusion available in natural aluminum, anodizing, or powder coating.

Date:	Specifier:	Project:	
-------	------------	----------	--



2034 E. Lincoln Ave. # 431 • Anaheim, CA 92806
 TF: 800.921.CALI (2254) • PH: 714-535-7900 • FX: 714.535.7902
 Web site: www.calilighting.com • E-mail: info@calilighting.com

